

AUDIO VIDEO SURROUND RECEIVER

KRF-X9992D/X9992DE

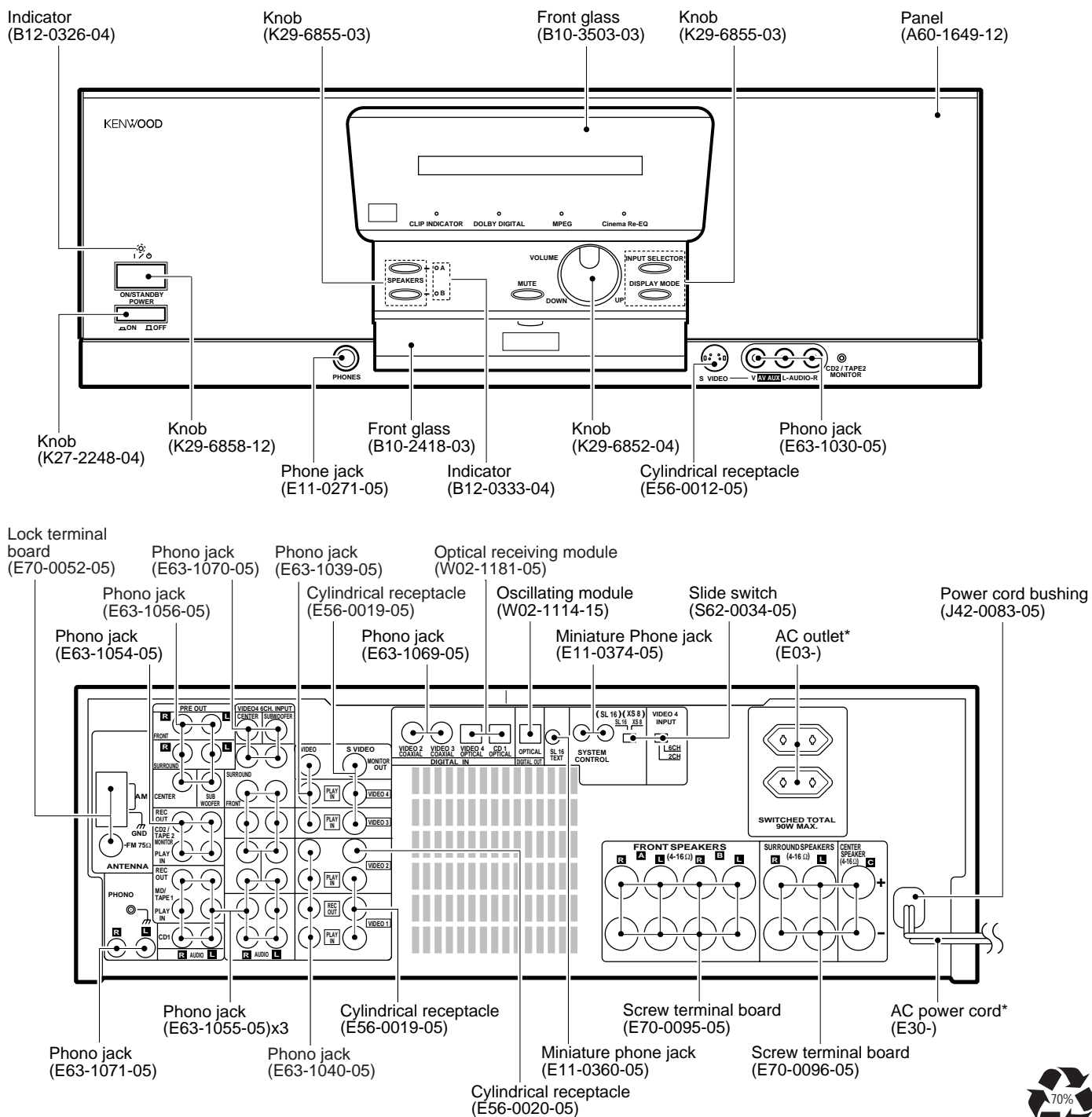
SERVICE MANUAL

KENWOOD

© 1999-8/B51-5564-00 (K/K) 1653

This manual is available for repair in the Europe and England markets.

Please refer to the original manual (B51-5560-00) if need the information in the USA and Canada and other markets.



*Refer to parts list on page44.



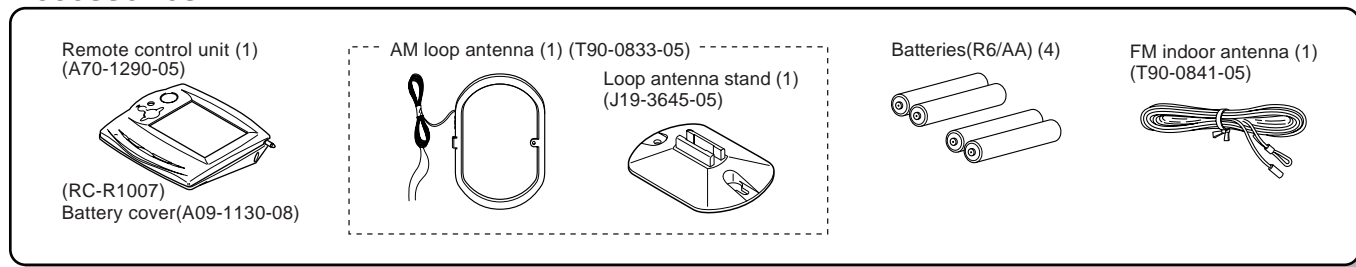
KRF-X9992D/X9992DE

CONTENTS / ACCESSORIES / CAUTIONS

Contents

CONTENTS / ACCESSORIES / CAUTIONS.....	2	SCHEMATIC DIAGRAM	13
ADJUSTMENT	3	EXPLODED VIEW	43
PARTS DESCRIPTIONS	4	PARTS LIST.....	44
PC BOARD	5	SPECIFICATIONS	Back cover

Accessories



Cautions

How to reset the microcomputer

The microcomputer may malfunction (impossibility of operation, erroneous display, etc.) when the power cord is unplugged and plugged in again while the unit is in ON mode or due to other external causes. In this case, execute the procedure on the right to reset the microcomputer and return the unit to the normal condition.

- Resetting the microcomputer clears the memory you entered and returns it to the initial condition when the unit left the factory.

① With the power cord plugged in, turn the POWER key to OFF.

② While holding down the I/ψ (ON/STANDBY) key, press the POWER key.

Memory backup function

Please note that the following items will be deleted from this unit's memory if the power cord is disconnected from the AC outlet for approximately three days.

- The input selection is cleared and the "Tuner" input is selected.
- The volume setting is cleared and the volume is set to "-66 dB".
- The receiving band setting is cleared and the "FM" band is selected.

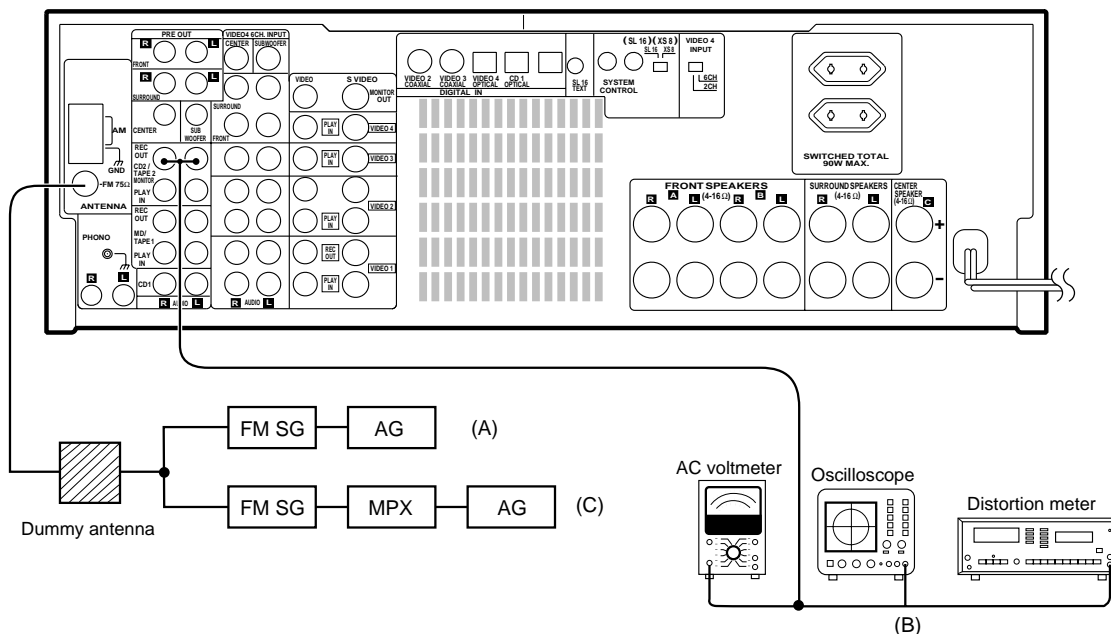
- The frequency setting is cleared and 87.5 MHz is selected.
- The preset station memory is cleared.
- The surround setting is cleared and reset to the initial condition.

KRF-X9992D/X9992DE

ADJUSTMENT

No.	ITEM	INPUT SETTINGS	OUTPUT SETTINGS	RECEIVER SETTINGS	ALIGNMENT POINTS	ALIGN FOR	FIG.
FM SECTION :		SELECTOR : FM	*Adjust NO.1 and NO.2 repeat.				
1	DISCRIMINATOR	(A) 98.0MHz 1kHz, ±40kHz dev. 70dBf (ANT. input)	Connect a DC voltmeter between CN12 ① and CN12 ② (X11)	MONO 98.0MHz	L604 (X11)	0V	(a)
2	DISTORTION (MONO)	(A) 98.0MHz 1kHz, ±40kHz dev. MONO 70dBf (ANT. input)	(B)	MONO 98.0MHz	L605 (X11)	Minimum distortion	(a)
3	DISTORTION (STEREO)	(C) 98.0MHz 1kHz, ±40kHz dev. Selector : L or R Pilot : ±6kHz dev. 70dBf (ANT. input)	(B)	AUTO 98.0MHz	IFT(RF FRONTEND : A601)	Minimum distortion (L or R)	(a)
4	TUNING LEVEL	(A) 98.0MHz MONO 1kHz, ±40kHz dev. 25dBf (ANT. input)	(B)	MONO 98.0MHz	VR601 (X11)	Adjust VR601 and stop at the point where ED1 (TUNED) goes on.	(a)
AUDIO SECTION		SPEAKER : A	PREOUT : OFF	PROLOGIC : ON			
<1>	IDLE CURRENT	—	Connect a DC voltmeter across CN1 (each port) 1, 2 pin : L 5, 6 pin : R 3, 4 pin : SL 7, 8 pin : SR 9, 10 pin : C	(FRONT 2ch MODE) Volume:0	VR1(L) VR2(R) VR3(SL) VR4(SR) VR5(CENTER) (X07-)	10mV	

SYSTEM CONNECTIONS



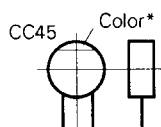
KRF-X9992D/X9992DE

PARTS DESCRIPTIONS

CAPACITORS

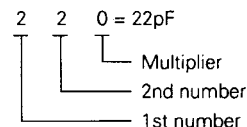
CC 45 TH 1H 220 J
 1 2 3 4 5 6

- 1 = Type ... ceramic, electrolytic, etc.
- 2 = Shape ... round, square, ect.
- 3 = Temp. coefficient
- 4 = Voltage rating
- 5 = Value
- 6 = Tolerance



Capacitor value

- 010 = 1pF
- 100 = 10pF
- 101 = 100pF
- 102 = 1000pF = 0.001μF
- 103 = 0.01μF



Temperature coefficient

1st Word	C	L	P	R	S	T	U
Color*	Black	Red	Orange	Yellow	Green	Blue	Violet
ppm/°C	0	-80	-150	-220	-330	-470	-750

2nd Word	G	H	J	K	L
ppm/°C	±30	±60	±120	±250	±500

Example : CC45TH = -470 ± 60ppm/°C

Tolerance (More than 10pF)

Code	C	D	G	J	K	M	X	Z	P	No code
(%)	±0.25	±0.5	±2	±5	±10	±20	+40 -20	+80 -20	+100 -0	More than 10μF - 10 ~ +50 Less than 4.7μF - 10 ~ +75

(Less than 10pF)

Code	B	C	D	F	G
(pF)	±0.1	±0.25	±0.5	±1	±2

Voltage rating

2nd word	A	B	C	D	E	F	G	H	J	K	V	
1st word	0	1.0	1.25	1.6	2.0	2.5	3.15	4.0	5.0	6.3	8.0	-
1	10	12.5	16	20	25	31.5	40	50	63	80	35	-
2	100	125	160	200	250	315	400	500	630	800	-	-
3	1000	1250	1600	2000	2500	3150	4000	5000	6300	8000	-	-

Chip capacitors

(EX) C C 7 3 F S L 1 H 0 0 0 J
 1 2 3 4 5 6 7

(Chip) (CH, RH, UJ, SL)

(EX) C K 7 3 F F 1 H 0 0 0 Z
 1 2 3 4 5 6 7

(Chip) (B, F)

Refer to the table above.

- 1 = Type
- 2 = Shape
- 3 = Dimension
- 4 = Temp. coefficient
- 5 = Voltage rating
- 6 = Value
- 7 = Tolerance

Dimension (Chip capacitors)

Dimension code	L	W	T
Empty	5.6 ± 0.5	5.0 ± 0.5	Less than 2.0
A	4.5 ± 0.5	3.2 ± 0.4	Less than 2.0
B	4.5 ± 0.5	2.0 ± 0.3	Less than 2.0
C	4.5 ± 0.5	1.25 ± 0.2	Less than 1.25
D	3.2 ± 0.4	2.5 ± 0.3	Less than 1.5
E	3.2 ± 0.2	1.6 ± 0.2	Less than 1.25
F	2.0 ± 0.3	1.25 ± 0.2	Less than 1.25
G	1.6 ± 0.2	0.8 ± 0.2	Less than 1.0

RESISTORS

Chip resistor (Carbon)

(EX) R K 7 3 E B 2 B 0 0 0 J
 1 2 3 4 5 6 7

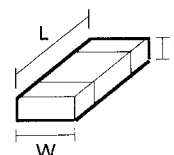
(Chip) (B,F)

Carbon resistor (Normal type)

(EX) R D 1 4 B B 2 C 0 0 0 J
 1 2 3 4 5 6 7

- 1 = Type
- 2 = Shape
- 3 = Dimension
- 4 = Temp. coefficient
- 5 = Rating wattage
- 6 = Value
- 7 = Tolerance

Dimension



Dimension (Chip resistor)

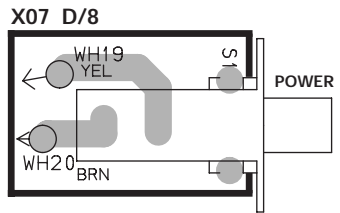
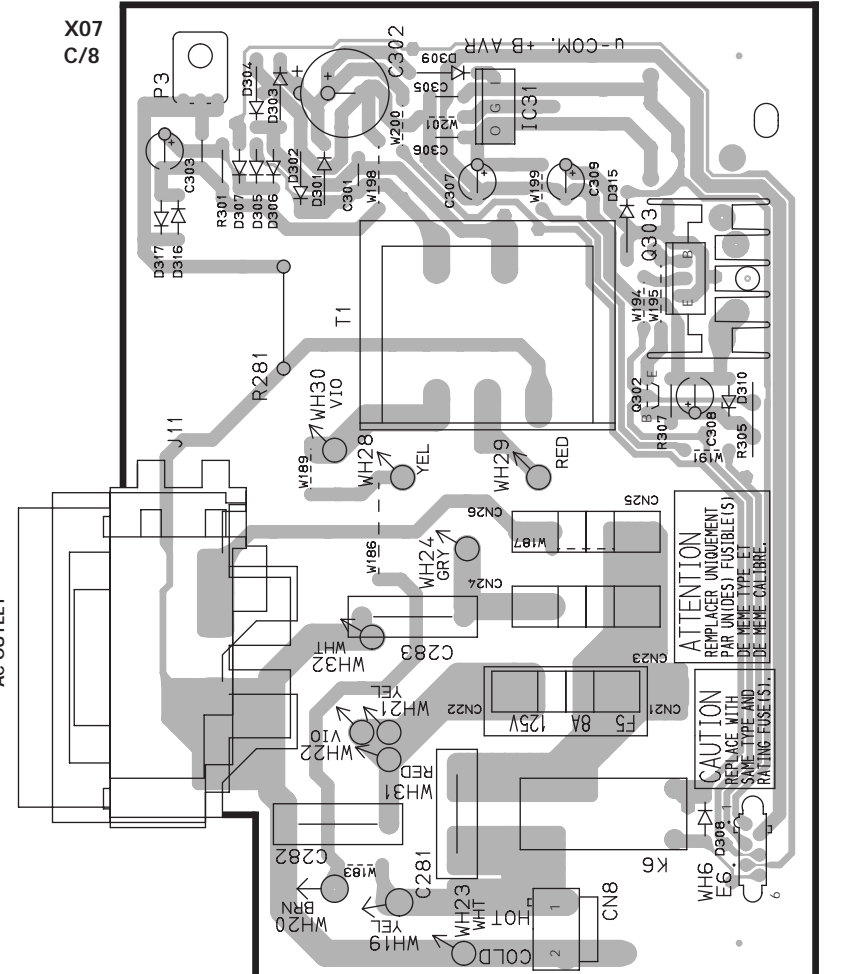
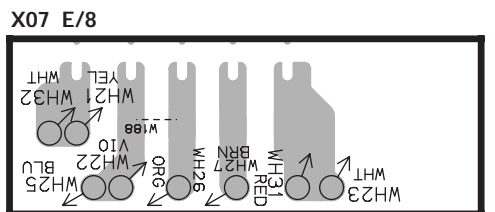
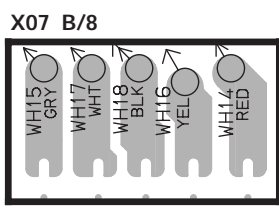
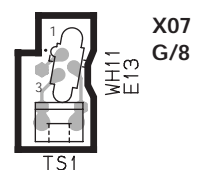
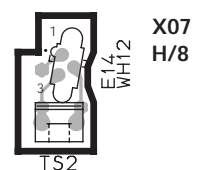
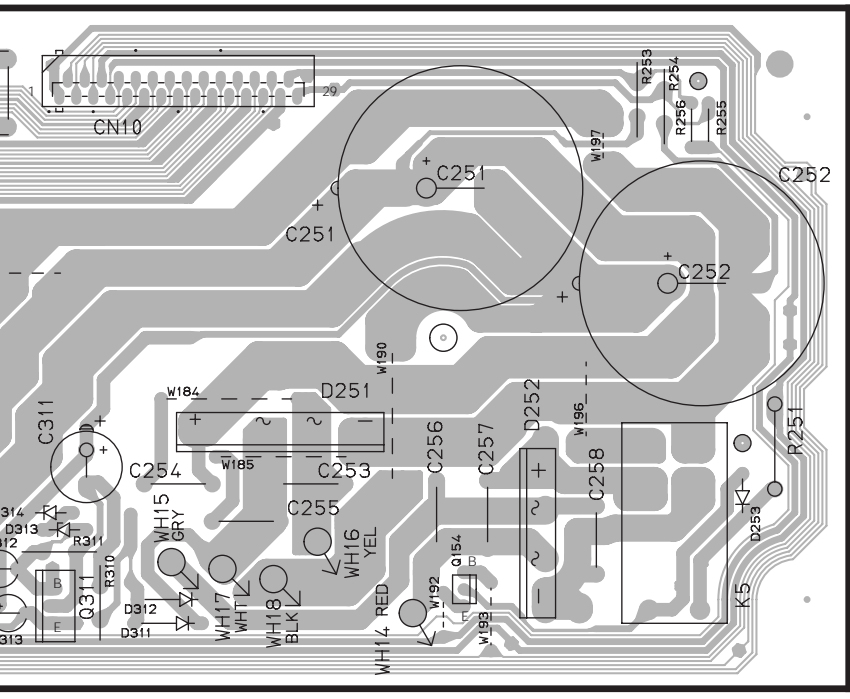
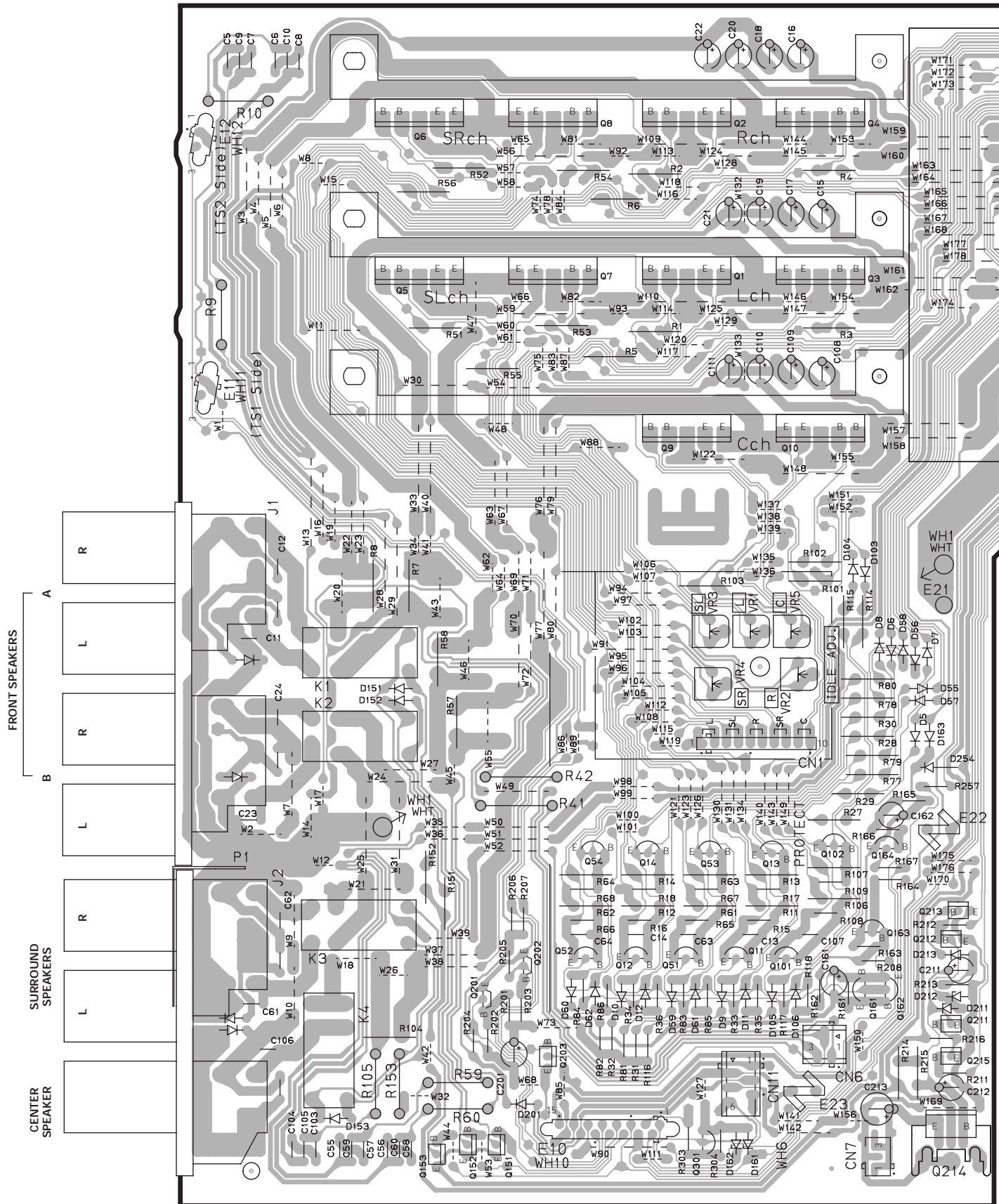
Dimension code	L	W	T
E	3.2 ± 0.2	1.6 ± 0.2	1.0
F	2.0 ± 0.3	1.25 ± 0.2	1.0
G	1.6 ± 0.2	0.8 ± 0.2	0.5 ± 0.1

Rating wattage

Code	Wattage	Code	Wattage	Code	Wattage
1J	1/16W	2C	1/6W	3A	1W
2A	1/10W	2E	1/4W	3D	2W
2B	1/8W	2H	1/2W		

PC BOARD (Component side view)

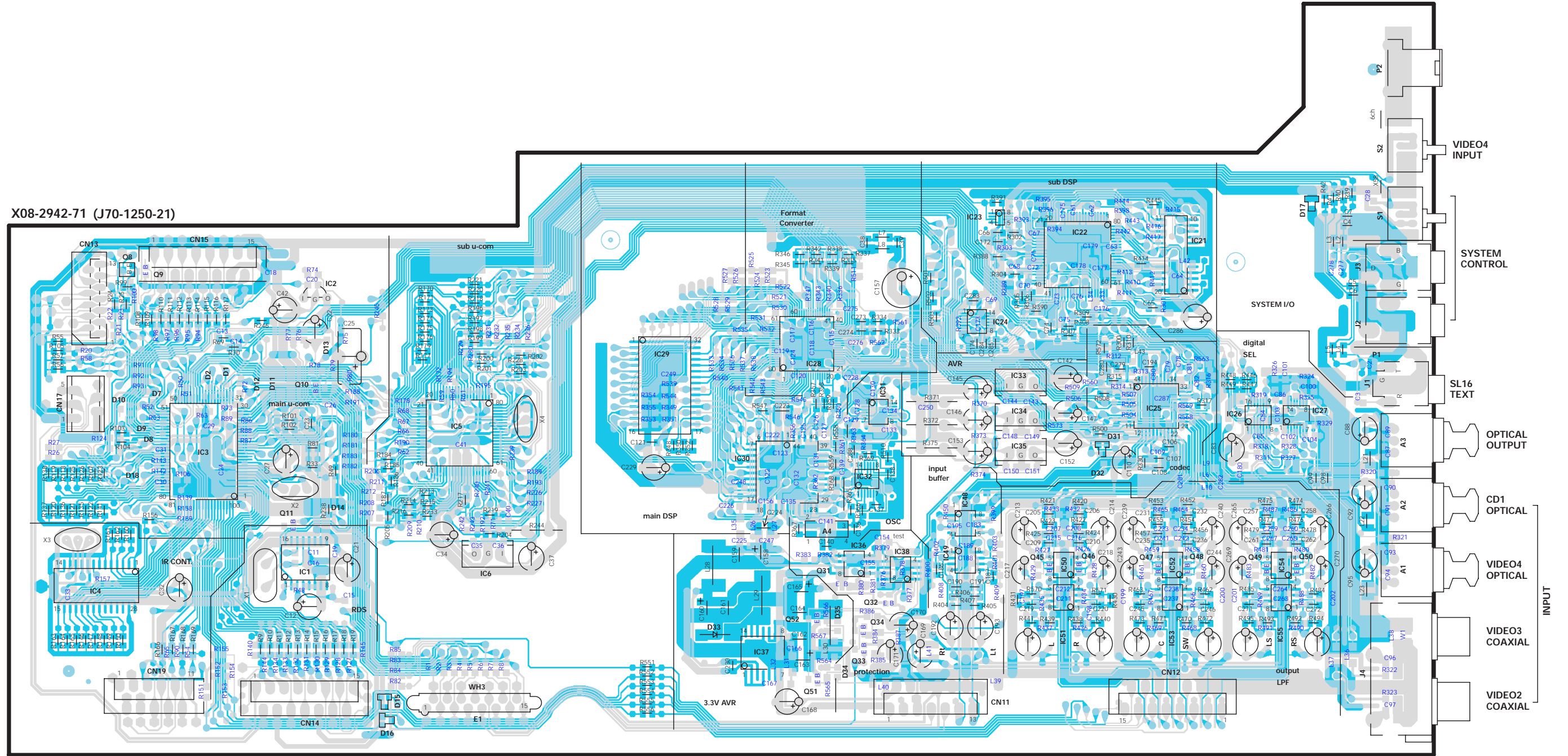
X07-293X-XX A/8 (J70-1152-11)



Refer to the schematic diagram for the value of resistors and capacitors.

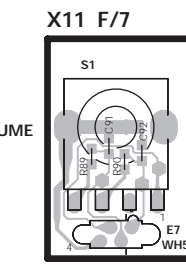
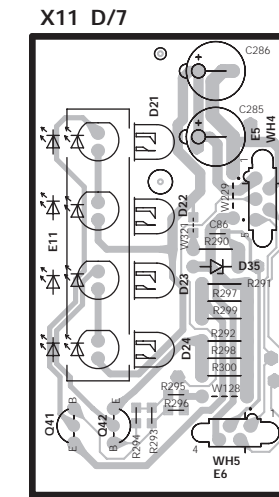
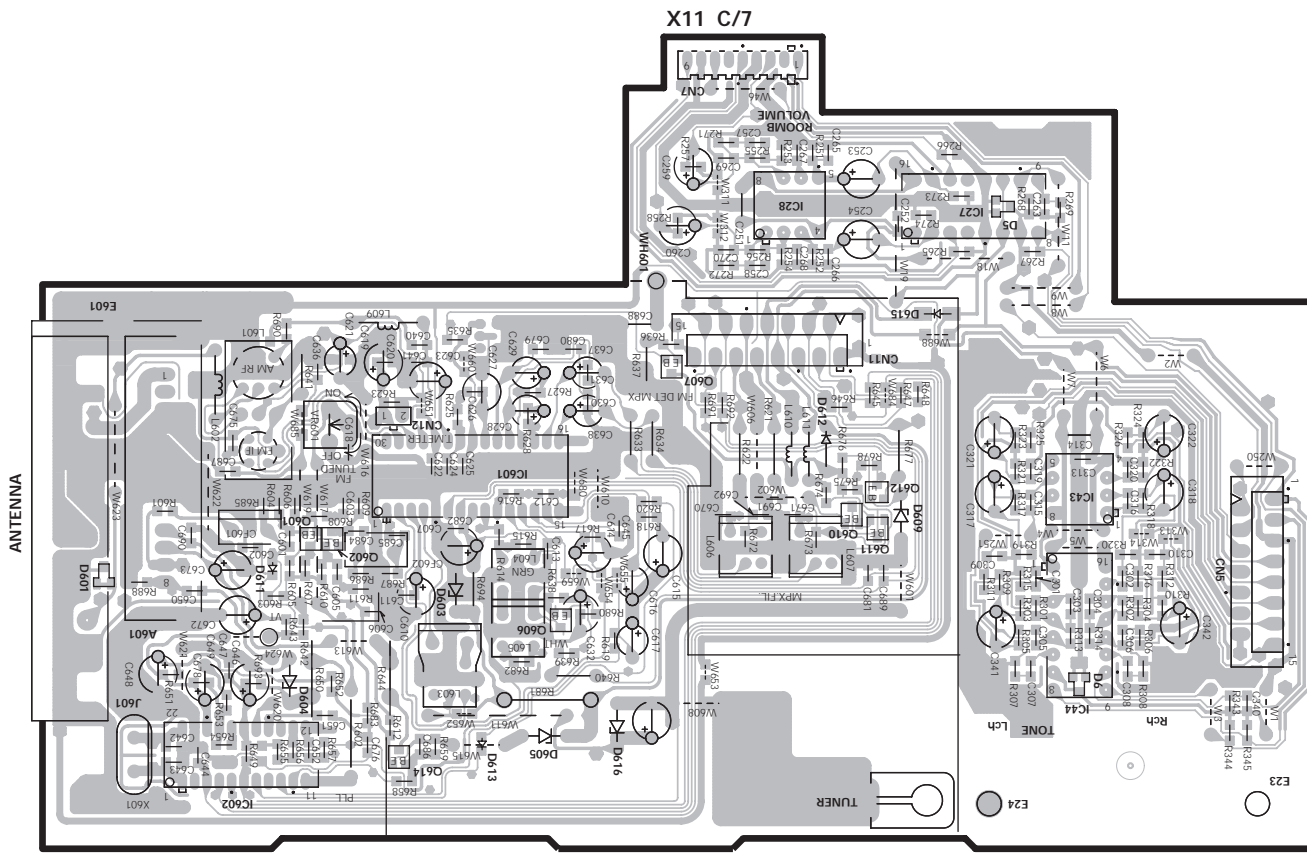
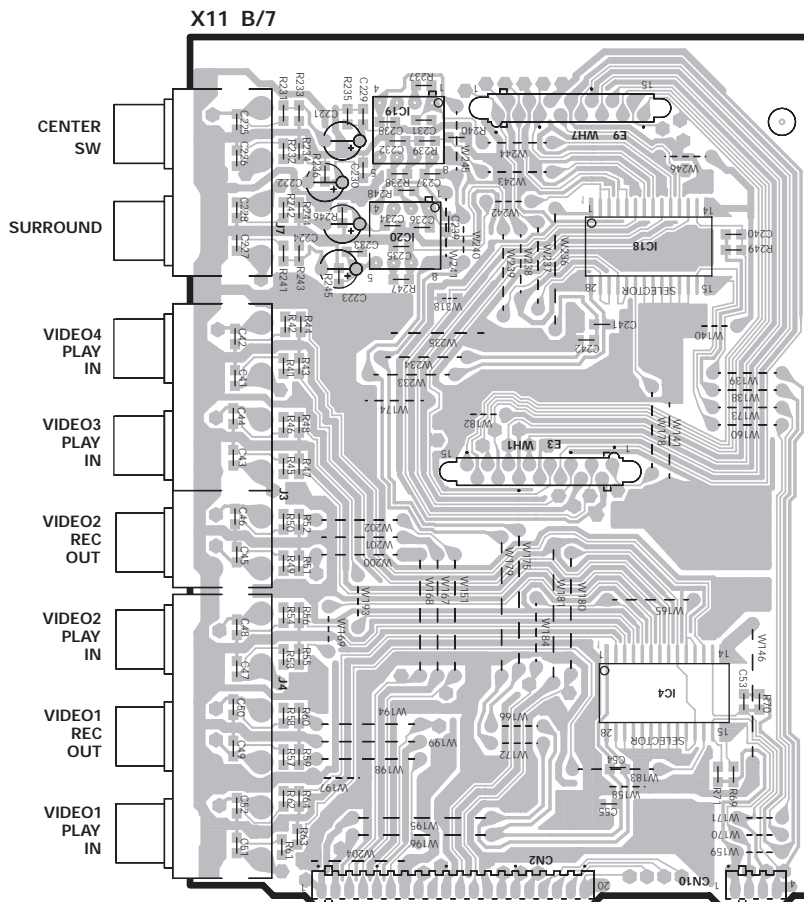
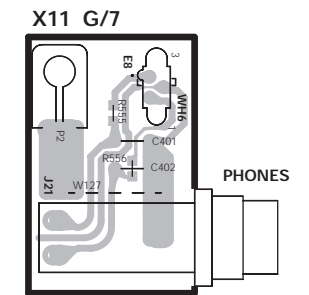
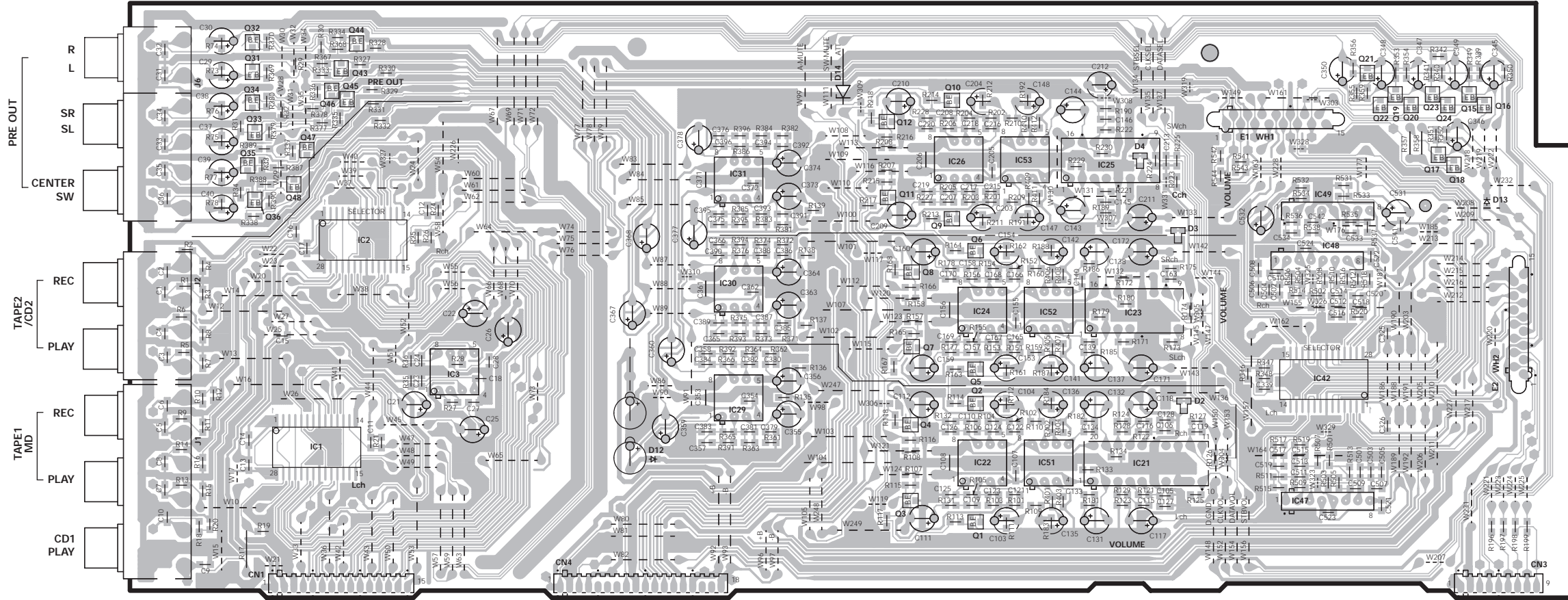
PC BOARD (Component side view)

X08-2942-71 (J70-1250-21)



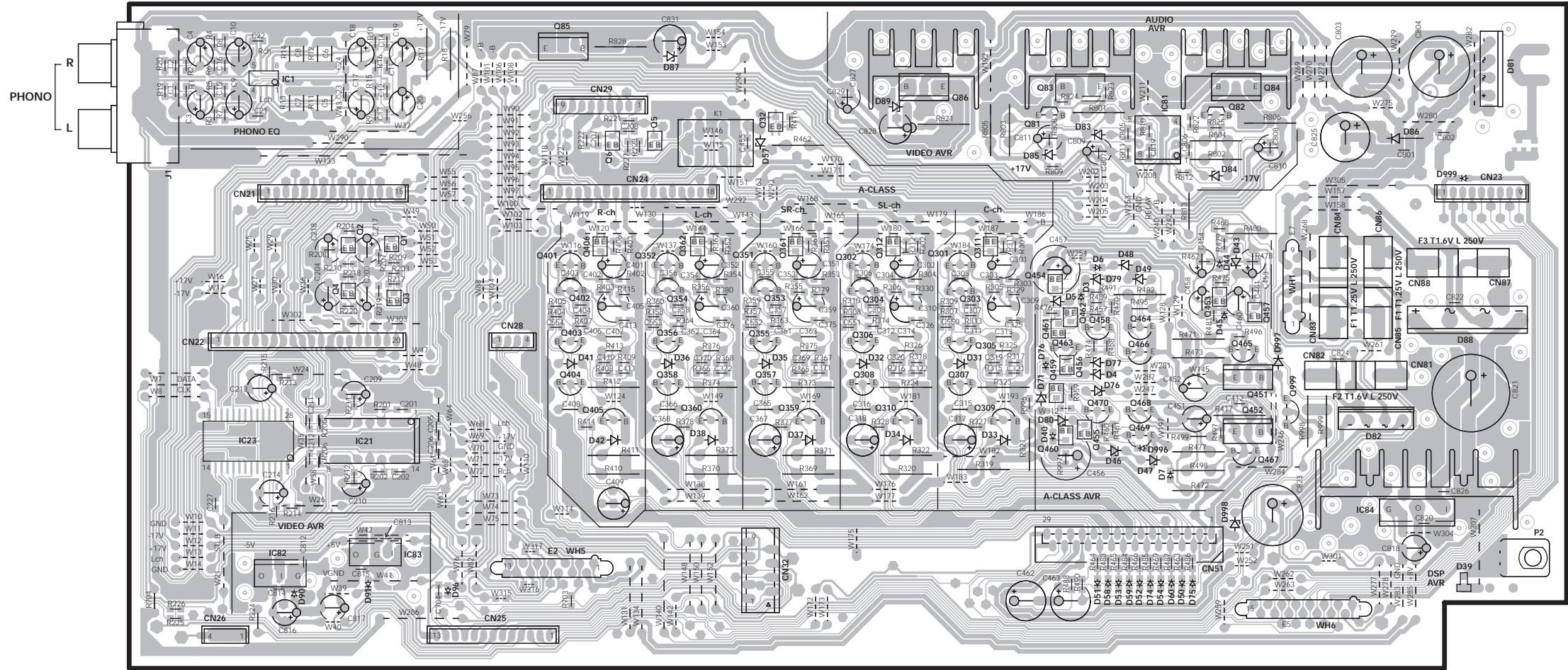
PC BOARD (Component side view)

X11-3822-71 A/7 (J70-1251-21)

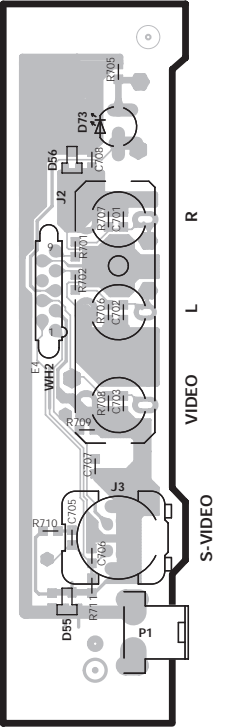


PC BOARD(Component side view)

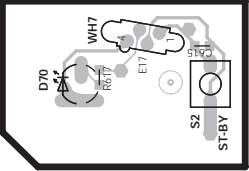
X25-6202-71 A/7 (J70-1292-11)



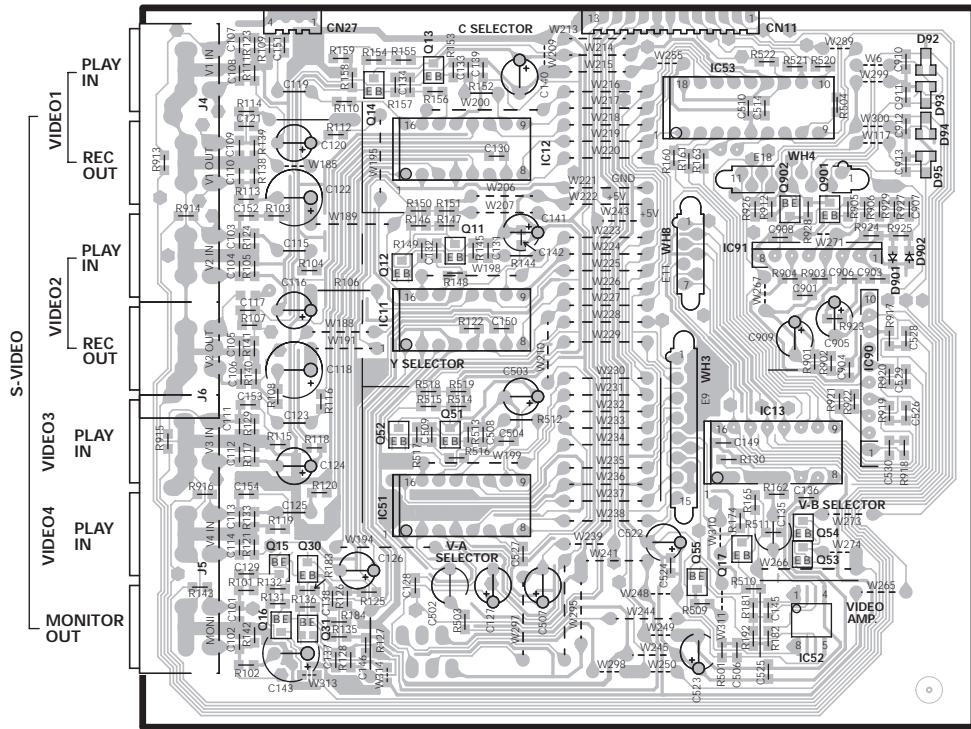
X25 F/7



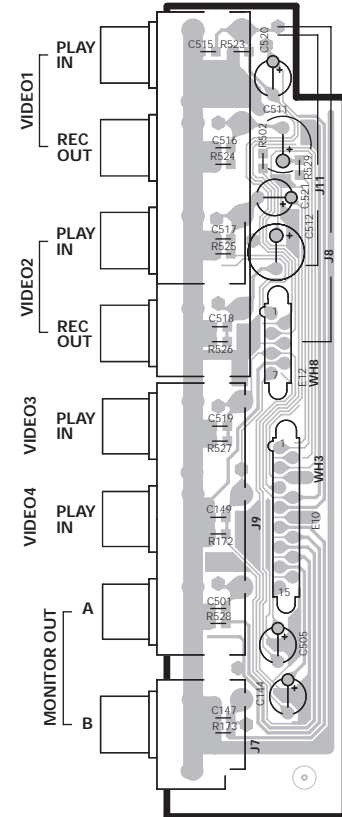
X25 G/7



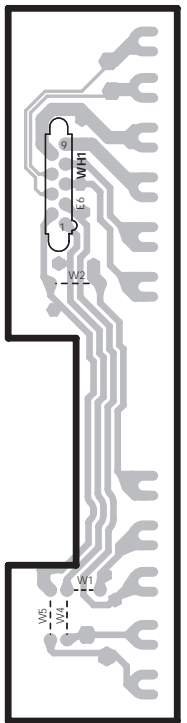
X25 B/7



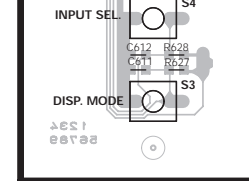
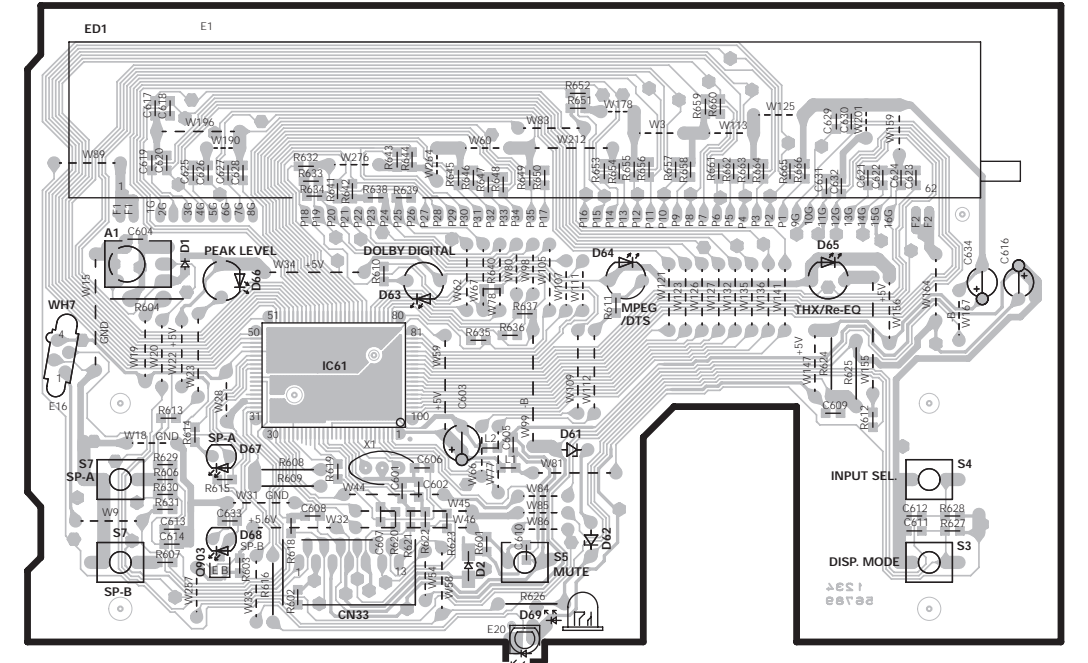
X25 D/7



X25 E/7

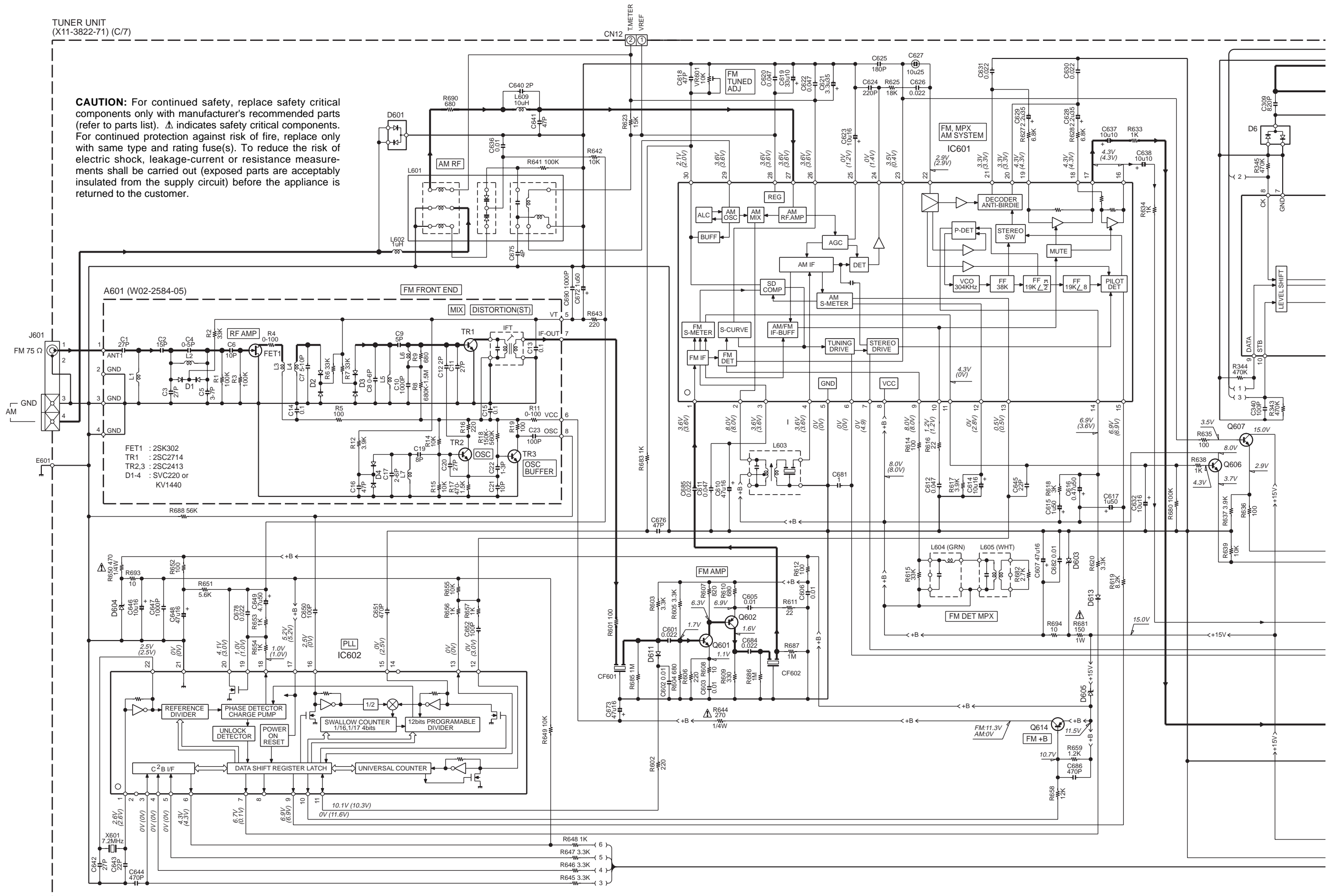


X25 C/7



TUNER UNIT
(X11-3822-71) (C/7)

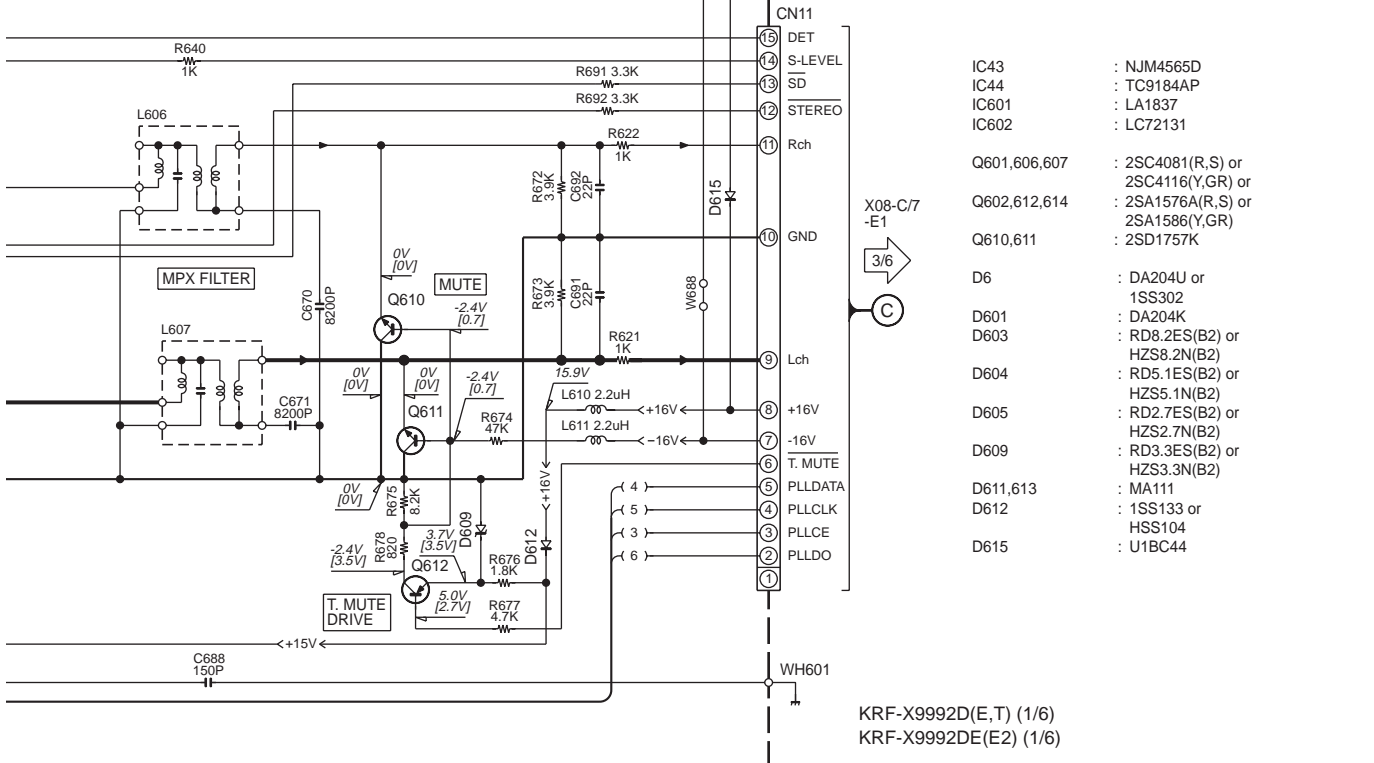
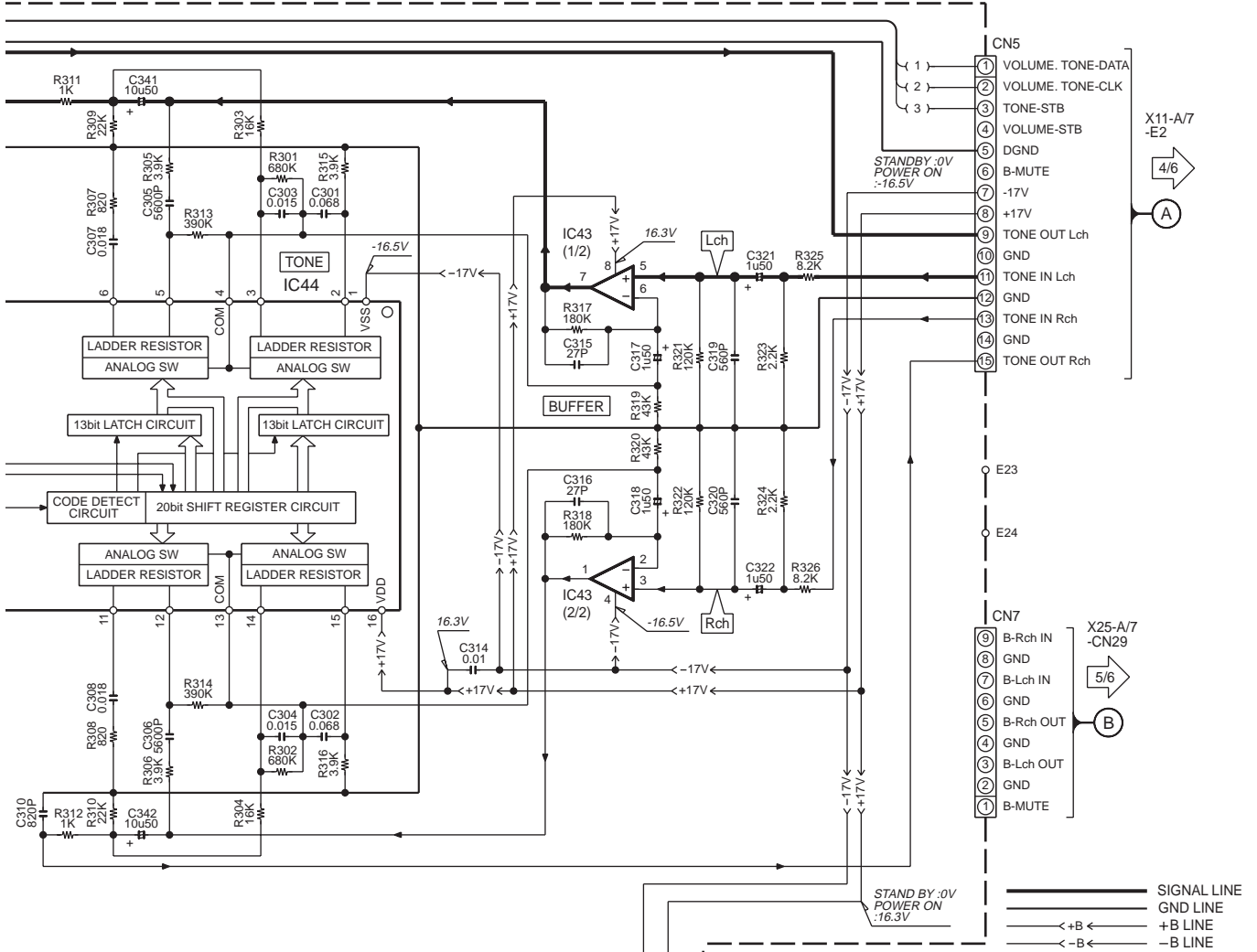
CAUTION: For continued safety, replace safety critical components only with manufacturer's recommended parts (refer to parts list). Δ indicates safety critical components. For continued protection against risk of fire, replace only with same type and rating fuse(s). To reduce the risk of electric shock, leakage-current or resistance measurements shall be carried out (exposed parts are acceptably insulated from the supply circuit) before the appliance is returned to the customer.



The DC voltage is an actual reading measured with a high impedance type voltmeter as the AM/FM signal generator is specified to the conditions as shown in the list below. The measurement value may vary depending on the measuring instruments used or on the product. The value shown in () is actual reading measured in the AM mode.

MODE	CARRIER	MODULATION		ANT INPUT
		FREQUENCY	DEVIATION	
FM	98MHz	1kHz	STEREO 67.5kHz 7.5kHz(Pilot)	60dB
AM	1000(999)kHz	400Hz	MONO 30% MOD	60dB

(X11-3822-71) (C/7)



KRF-X9992D(E,T) (1/6)
KRF-X9992DE(E2) (1/6)

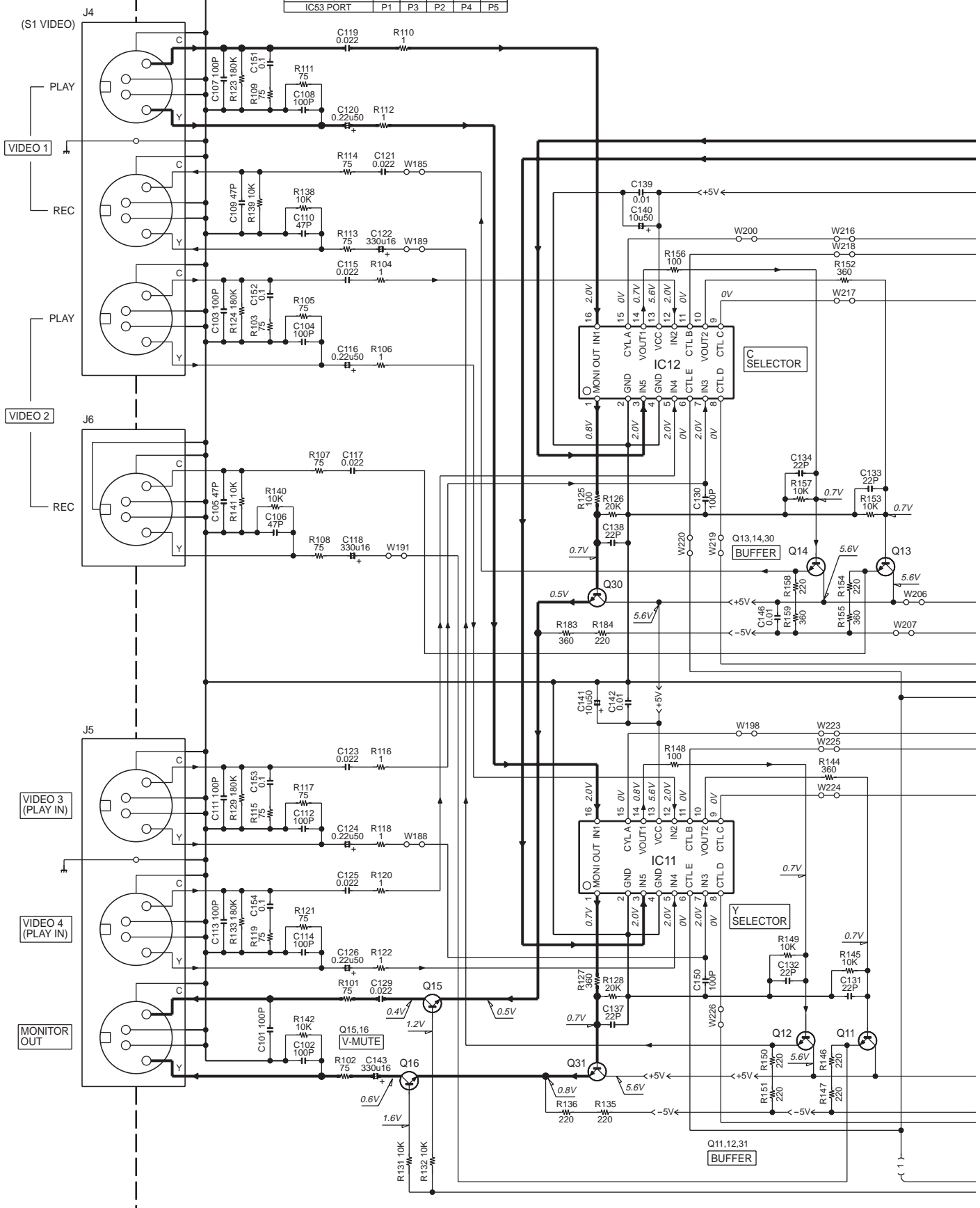
KRF-X9992D/X9992DE

Y05-3892-70

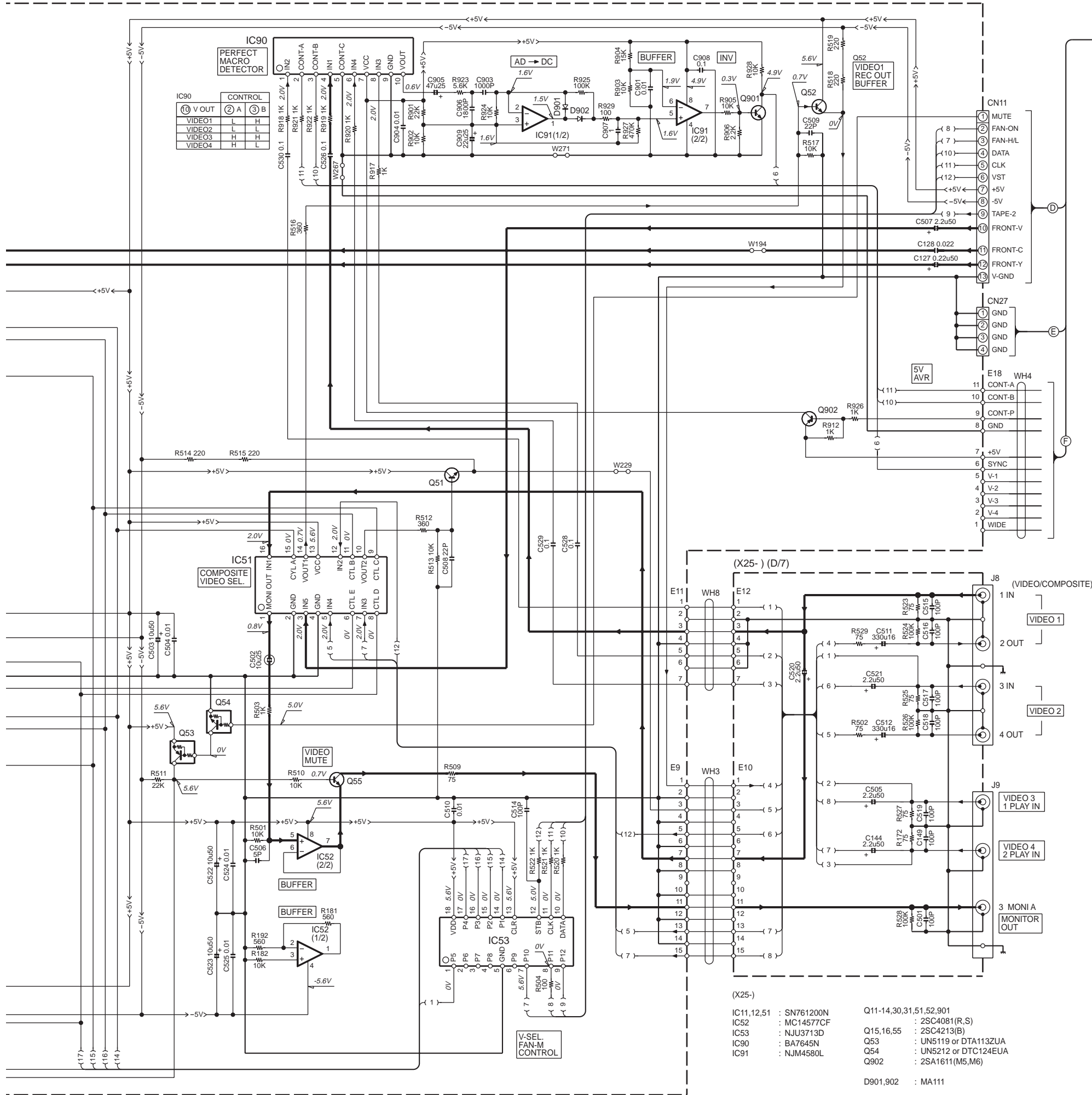
KENWOOD

ELECTRIC UNIT (X25-6202-71) (B/7)

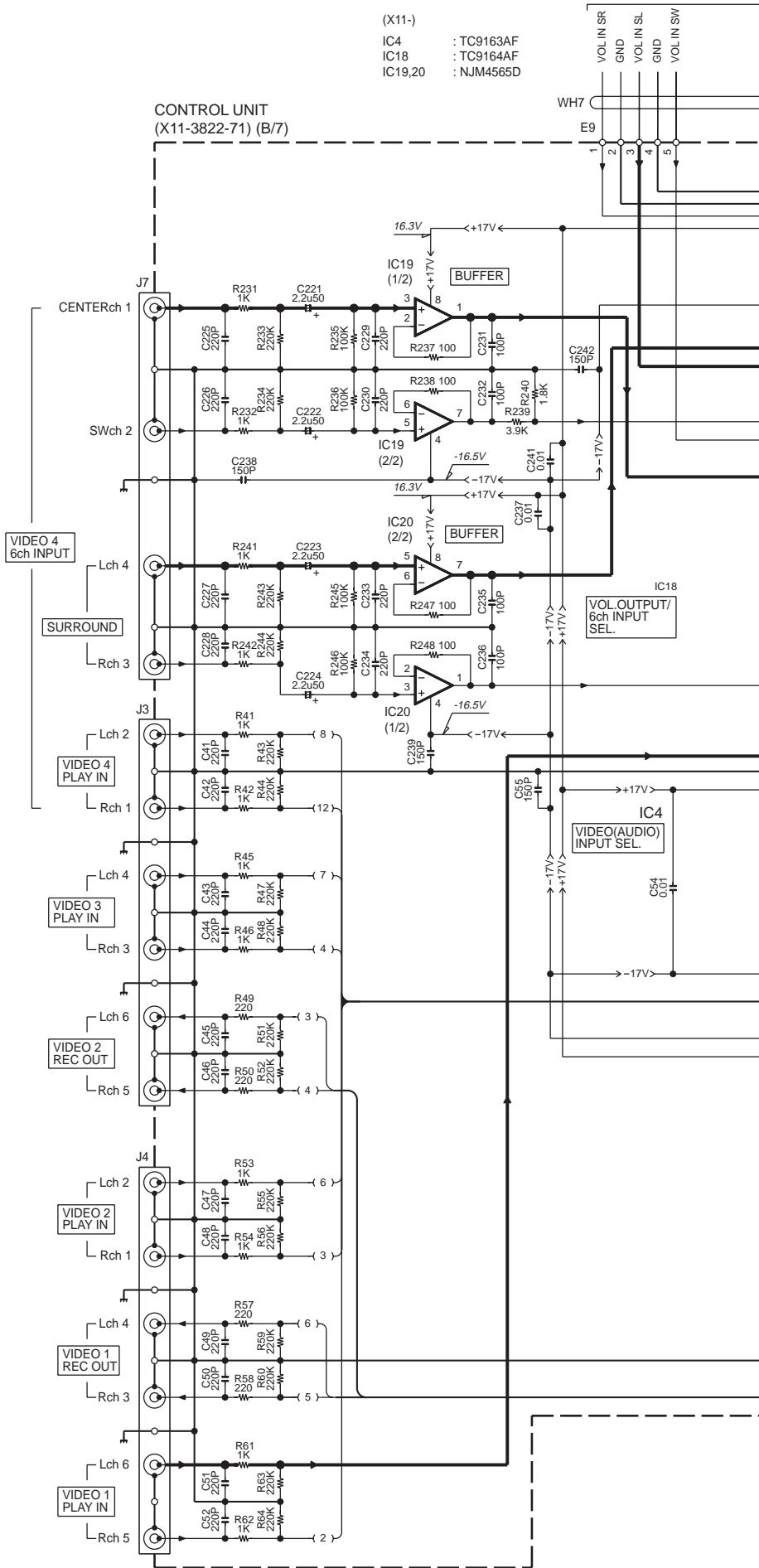
IC11,12,51		CLT (CONTROL)				
① MONITOR OUT	③ A	⑪ B	⑨ C	⑥ D	⑦ E	
VIDEO1	L	L	L	L	L	
VIDEO2	H	L	H	L	L	
VIDEO3	L	H	L	H	L	
VIDEO4	H	H	H	H	L	
AV AUX	H	H	H	H	H	
IC53 PORT	P1	P3	P2	P4	P5	



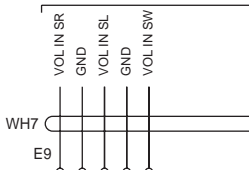
Q11,12,31
BUFFER

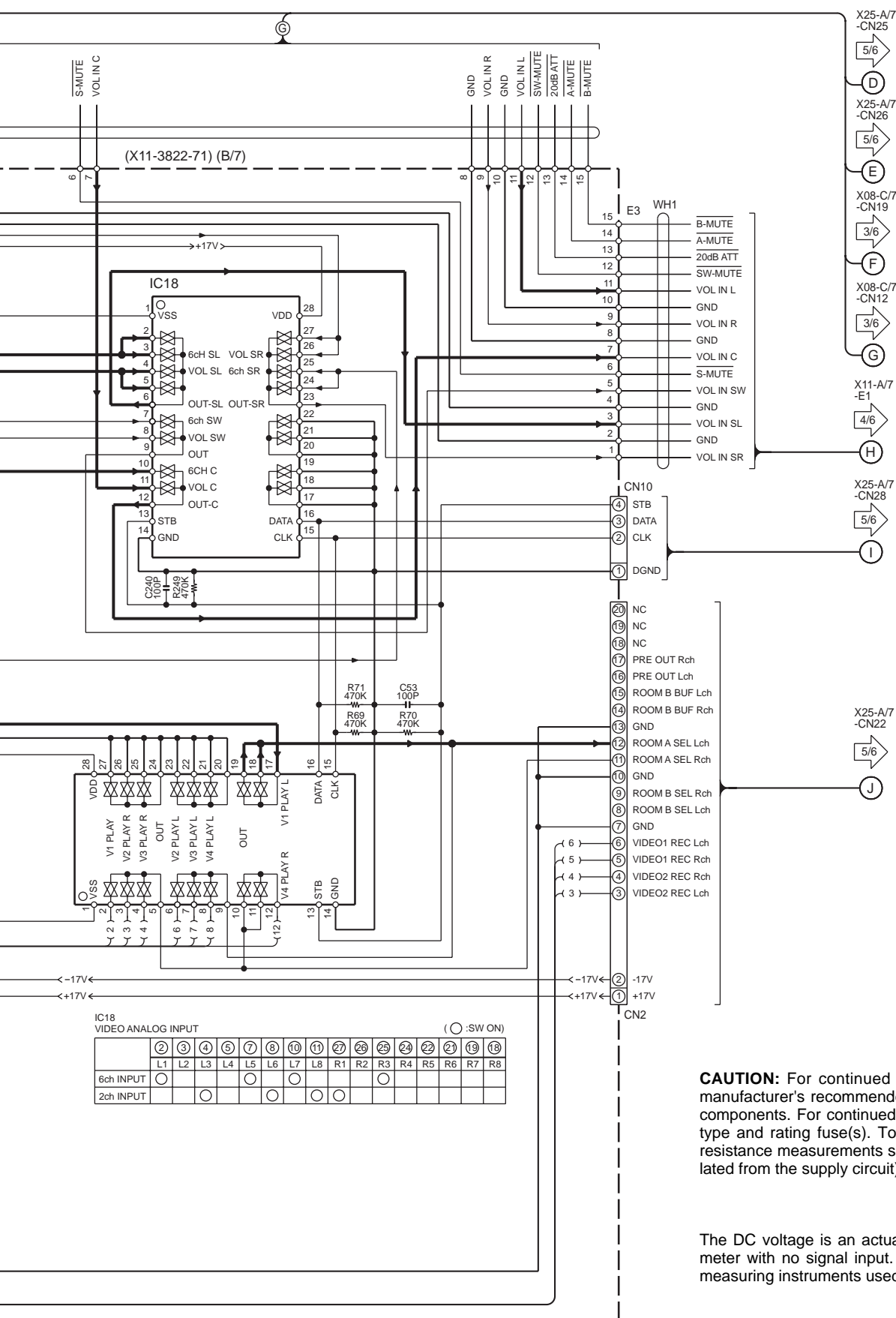


- (X25-)
- IC11,12,51 : SN761200N
 - IC52 : MC14577CF
 - IC53 : NJU3713D
 - IC90 : BA7645N
 - IC91 : NJM4580L
 - Q11-14,30,31,51,52,901 : 2SC4081(R,S)
 - Q15,16,55 : 2SC4213(B)
 - Q53 : UN5119 or DTA113ZUA
 - Q54 : UN5212 or DTC124EUA
 - Q902 : 2SA1611(M5,M6)
 - D901,902 : MA111



- (X11-)
- IC4 : TC9163AF
 - IC18 : TC9164AF
 - IC19,20 : NJM4565D

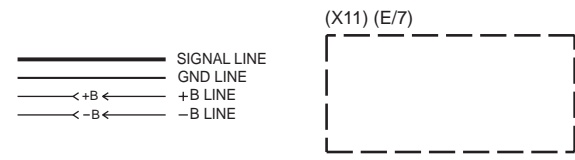




CAUTION: For continued safety, replace safety critical components only with manufacturer's recommended parts (refer to parts list). Δ indicates safety critical components. For continued protection against risk of fire, replace only with same type and rating fuse(s). To reduce the risk of electric shock, leakage-current or resistance measurements shall be carried out (exposed parts are acceptably insulated from the supply circuit) before the appliance is returned to the customer.

The DC voltage is an actual reading measured with a high impedance type voltmeter with no signal input. The measurement value may vary depending on the measuring instruments used or on the product.

- 2SA1123, 2SA992, 2SC1845, 2SC2003
- 2SC2631, 2SC3244, 2SC3940A
- DTC124ESA, 2SA1048, 2SC2458
- UN5116, UN5119, 2SA1576A, 2SA1586, 2SC4116
- 2SA1535, 2SB1370, 2SC3944, 2SD2061
- UN4212, UN4219, 2SA1309A, 2SC3311A
- 2SB1375, 2SD2012
- 2SC4081, 2SD1757K
- DTA143TUA, DTC124EUA
- NJM4558D, NJM4565D
- NJM2058D
- TC9184AP
- TC9413P
- NJU3713D
- SN761200N
- NJM4580L
- MC14577CF, NJM4565M, NJM4580ED, TC7W04FU
- LM2940CT-5.0
- DAN202U
- UPC7805AHF
- DAP202U, DA204K, DA204U

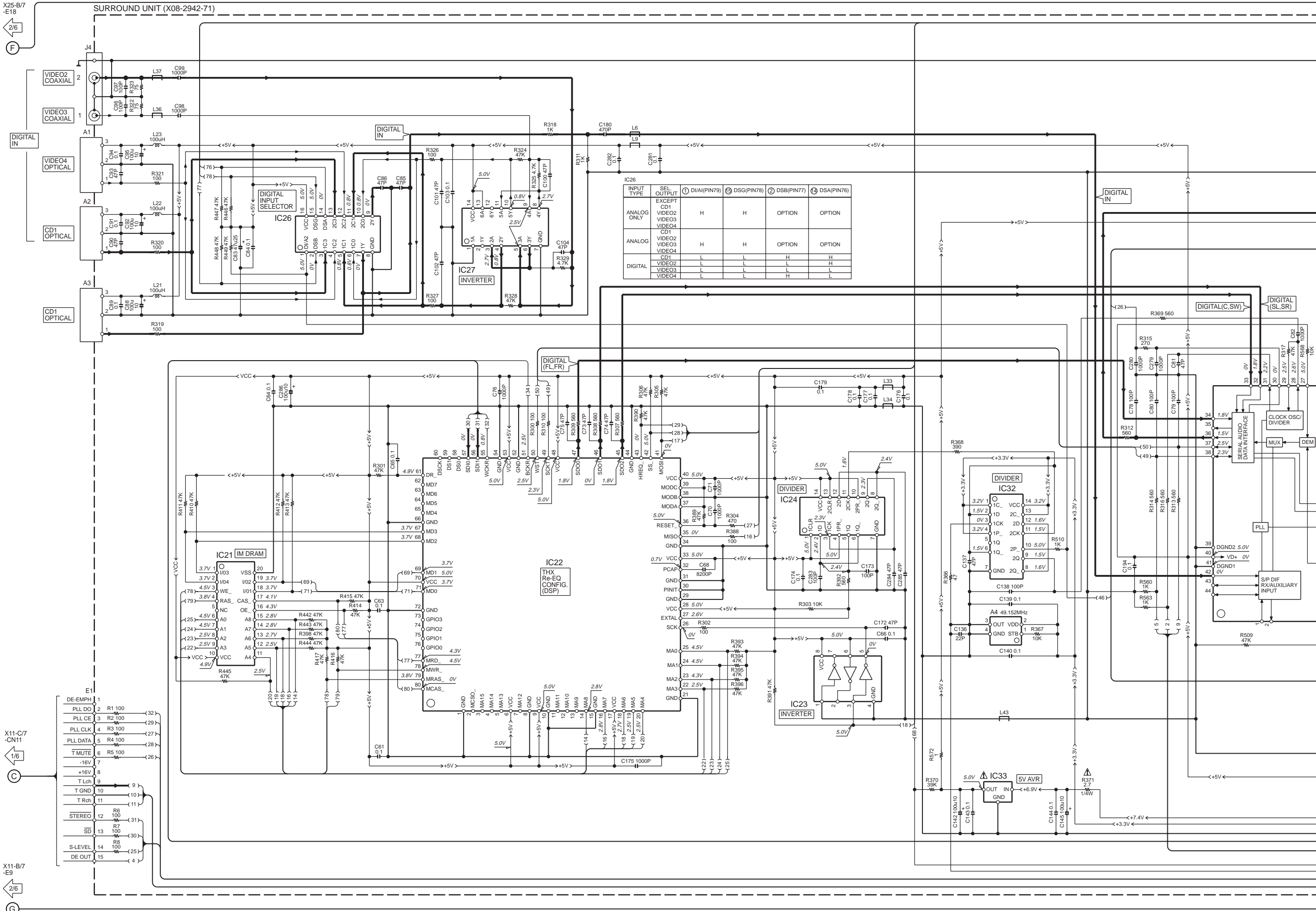


KRF-X9992D(E,T) (2/6)
 KRF-X9992DE(E2) (2/6)

Y05-3892-70

KRF-X9992D/X9992DE

KENWOOD



1

2

3

4

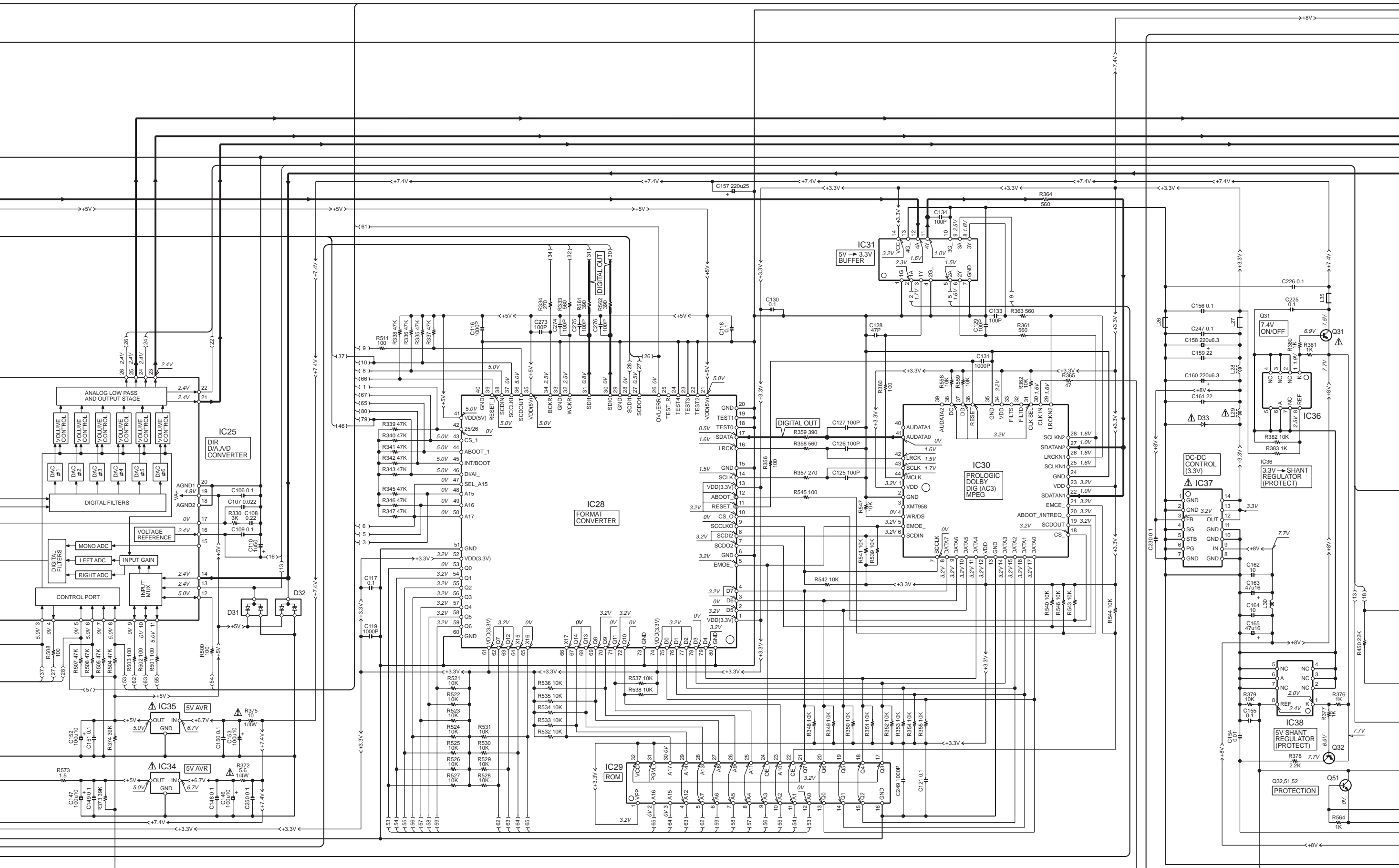
5

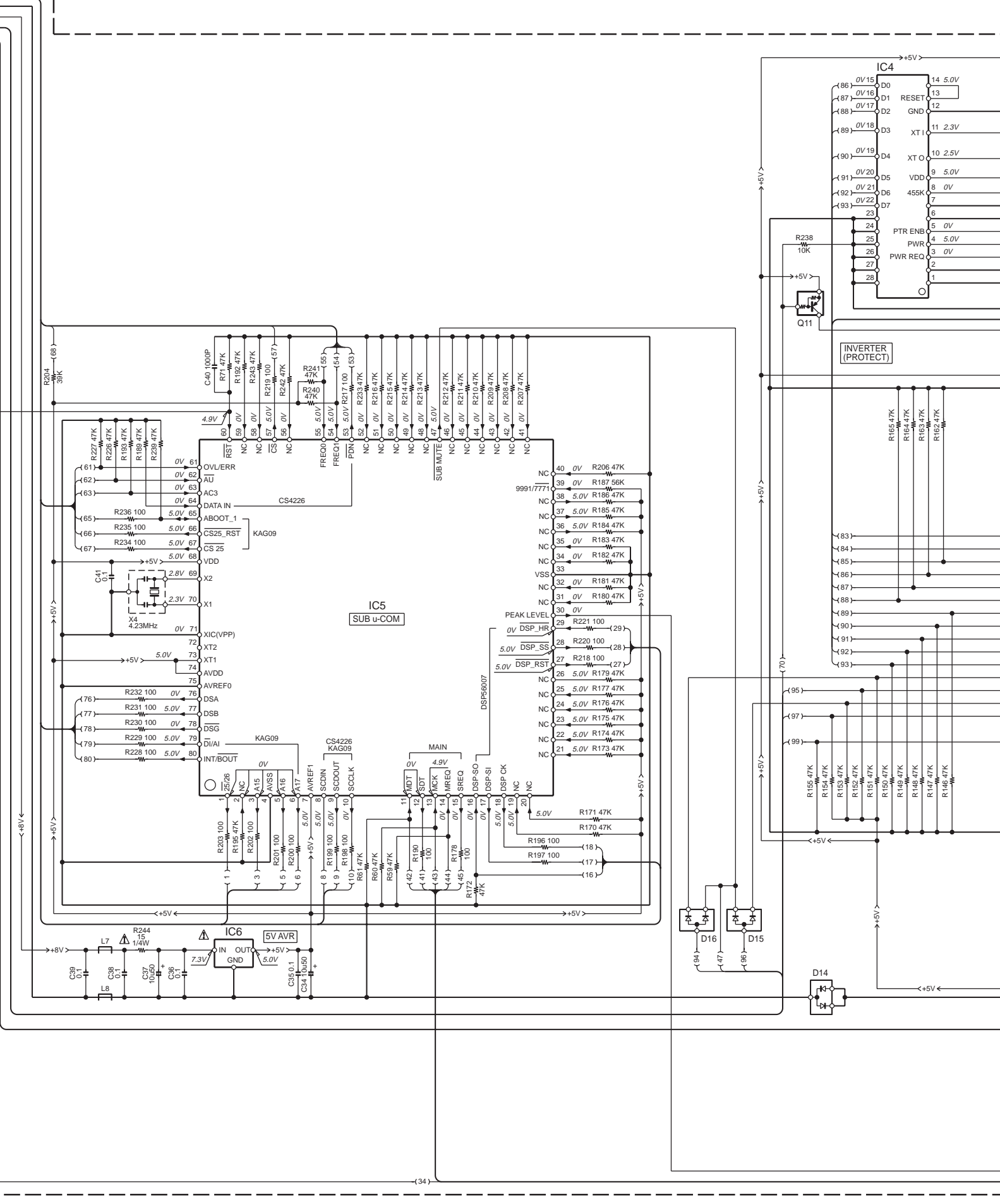
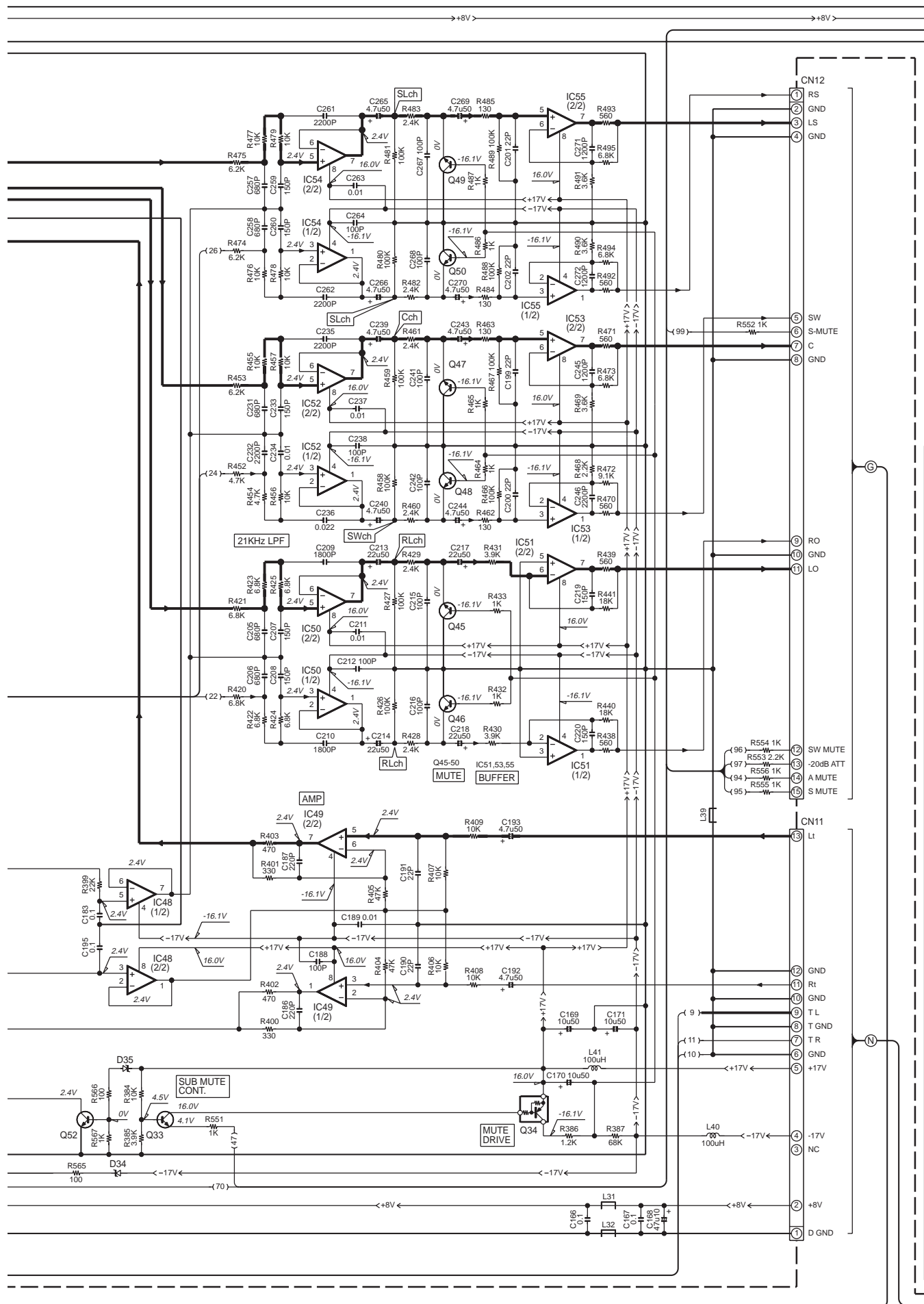
6

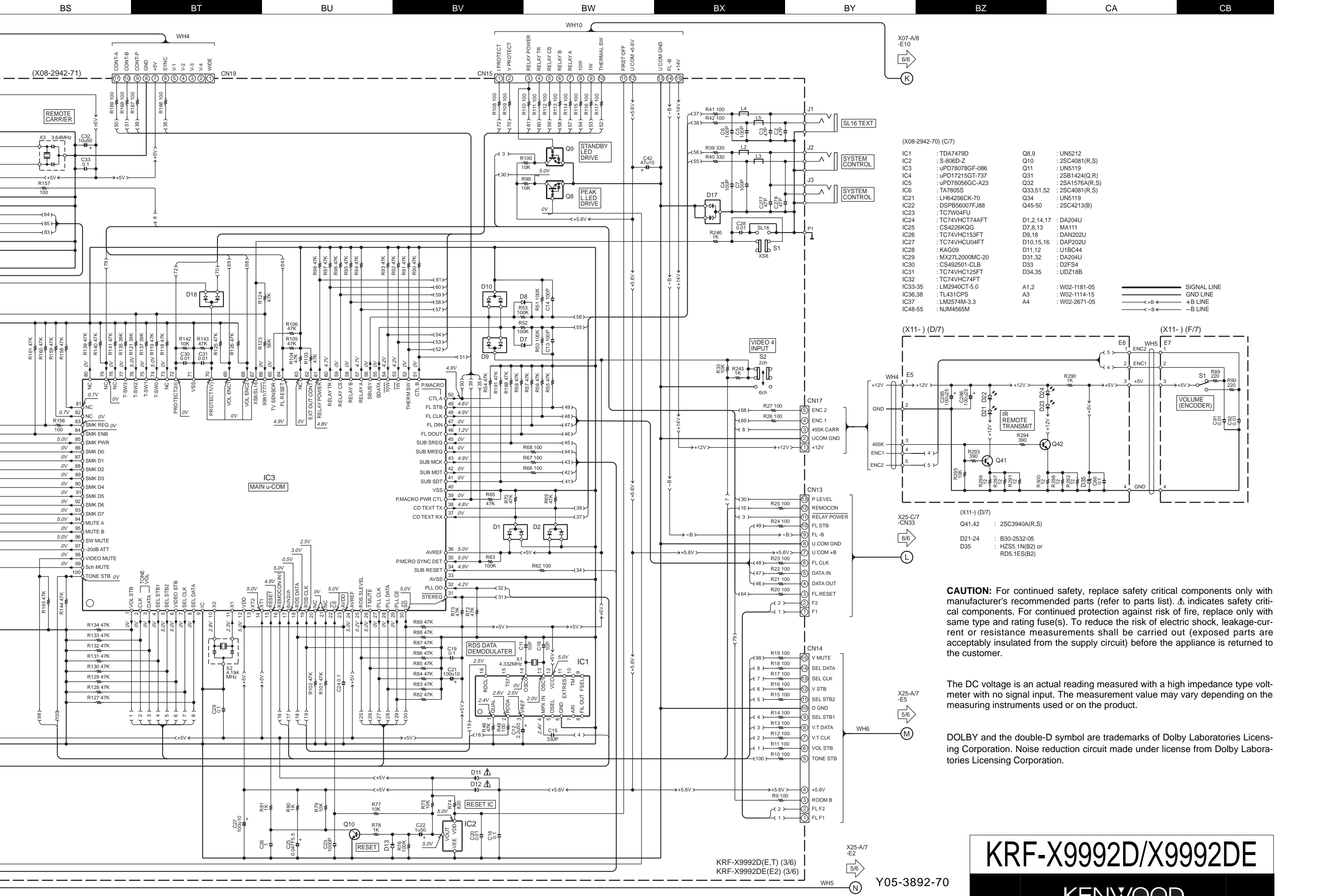
7



(X08-2942-71)



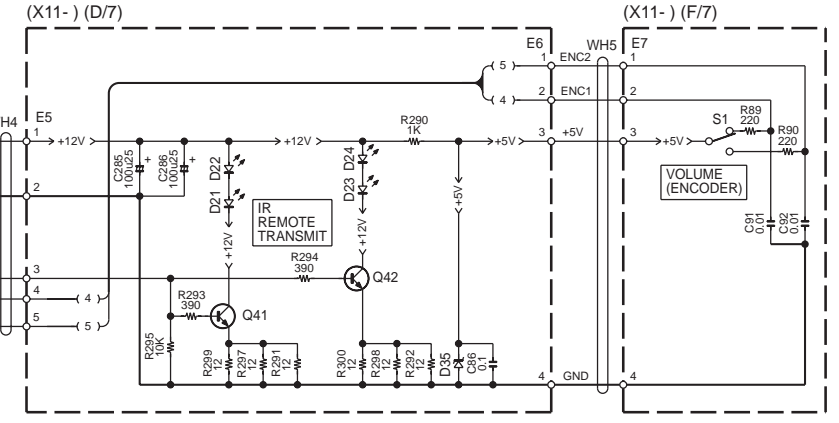




(X08-2942-70) (C/7)

IC1	: TDA7479D	Q8,9	: UN5212
IC2	: S-806D-Z	Q10	: 2SC4081(R,S)
IC3	: uPD78078GF-086	Q11	: UN5119
IC4	: uPD17215GT-737	Q31	: 2SB1424(Q,R)
IC5	: uPD78056GC-A23	Q32	: 2SA1576A(R,S)
IC6	: TA7805S	Q33,51,52	: 2SC4081(R,S)
IC21	: LH64256CK-70	Q34	: UN5119
IC22	: DSP56007FJ88	Q45-50	: 2SC4213(B)
IC23	: TC7W04FU		
IC24	: TC74VHCT74AFT	D1,2,14,17	: DA204U
IC25	: CS4226KQG	D7,8,13	: MA111
IC26	: TC74VHC153FT	D9,18	: DAN202U
IC27	: TC74VHC04FT	D10,15,16	: DAP202U
IC28	: KAG09	D11,12	: U1BC44
IC29	: MX27L2000MC-20	D31,32	: DA204U
IC30	: CS492501-CLB	D33	: D2FS4
IC31	: TC74VHC125FT	D34,35	: UD218B
IC32	: TC74VHC74FT		
IC33-35	: LM2940CT-5.0	A1,2	: W02-1181-05
IC36,38	: TL431CPS	A3	: W02-1114-15
IC37	: LM2574M-3.3	A4	: W02-2671-05
IC48-55	: NJM4565M		

— SIGNAL LINE
 — GND LINE
 — +B LINE
 — -B LINE



(X11-) (D/7)

Q41,42	: 2SC3940A(R,S)
D21-24	: B30-2532-05
D35	: HZS5.1N(B2) or RD5.1ES(B2)

CAUTION: For continued safety, replace safety critical components only with manufacturer's recommended parts (refer to parts list). Δ indicates safety critical components. For continued protection against risk of fire, replace only with same type and rating fuse(s). To reduce the risk of electric shock, leakage-current or resistance measurements shall be carried out (exposed parts are acceptably insulated from the supply circuit) before the appliance is returned to the customer.

The DC voltage is an actual reading measured with a high impedance type voltmeter with no signal input. The measurement value may vary depending on the measuring instruments used or on the product.

DOLBY and the double-D symbol are trademarks of Dolby Laboratories Licensing Corporation. Noise reduction circuit made under license from Dolby Laboratories Licensing Corporation.

KRF-X9992D/X9992DE

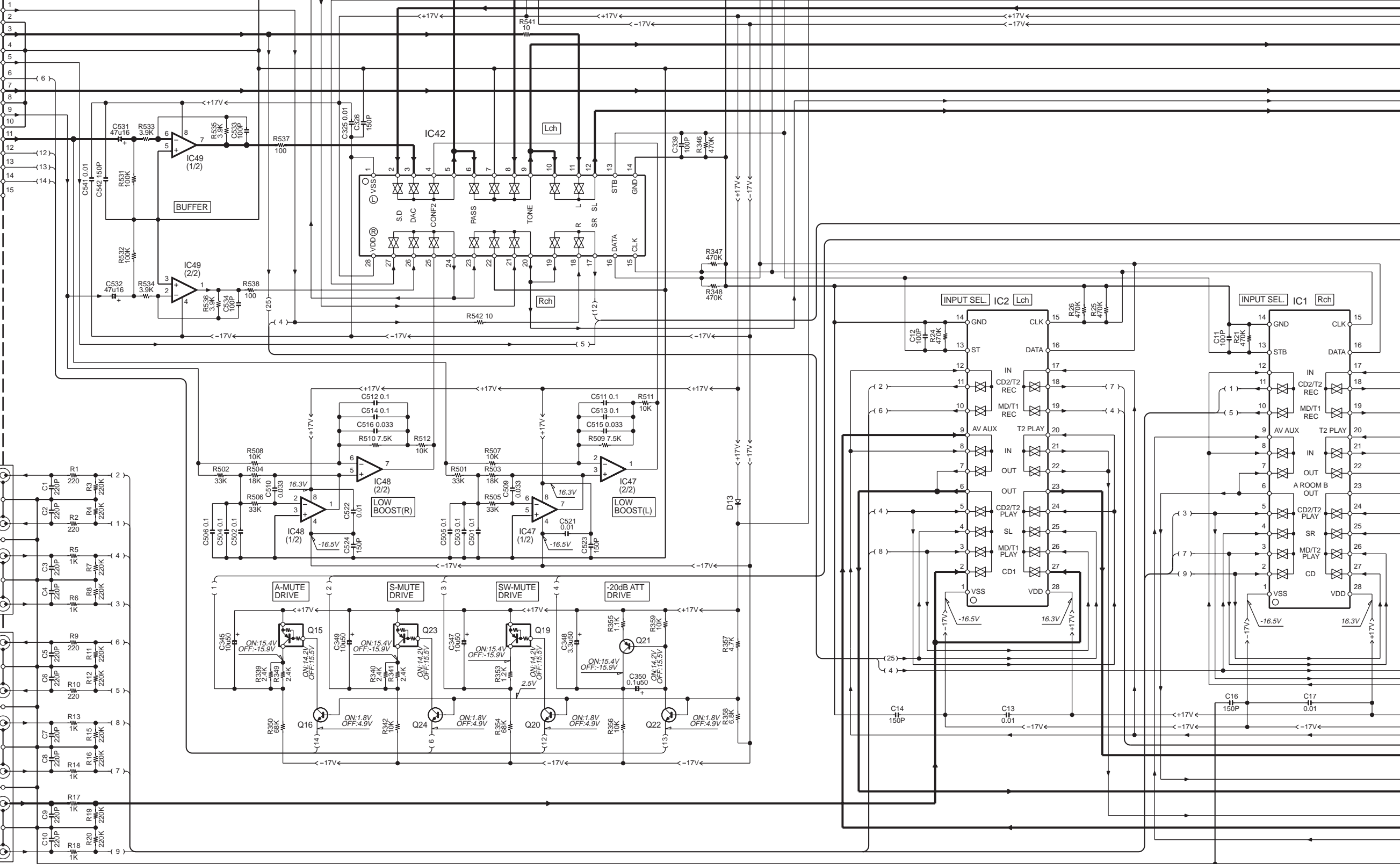
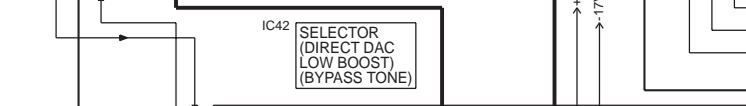
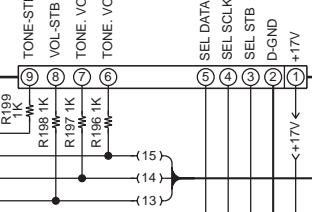
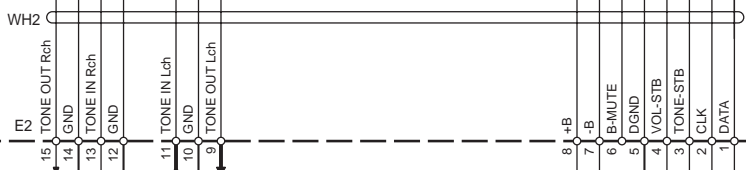
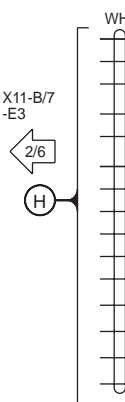
KENWOOD

KRF-X9992D(E,T) (3/6)
 KRF-X9992DE(E2) (3/6)
 Y05-3892-70

X11-C/7
-CN5
1/6
A

X11-B/7
-E3
2/6
H

CONTROL UNIT
(X11-3822-71) (A/7)

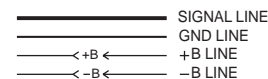


2
3
4
5
6
7

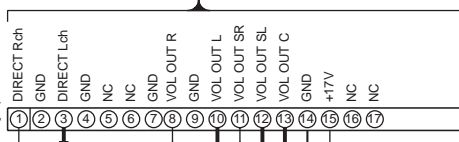
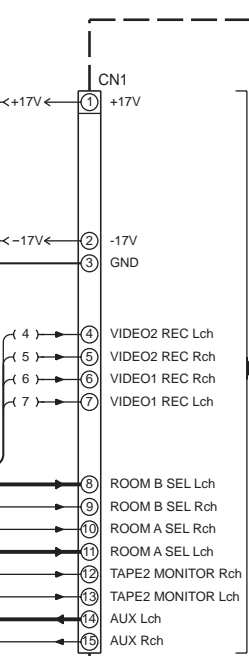
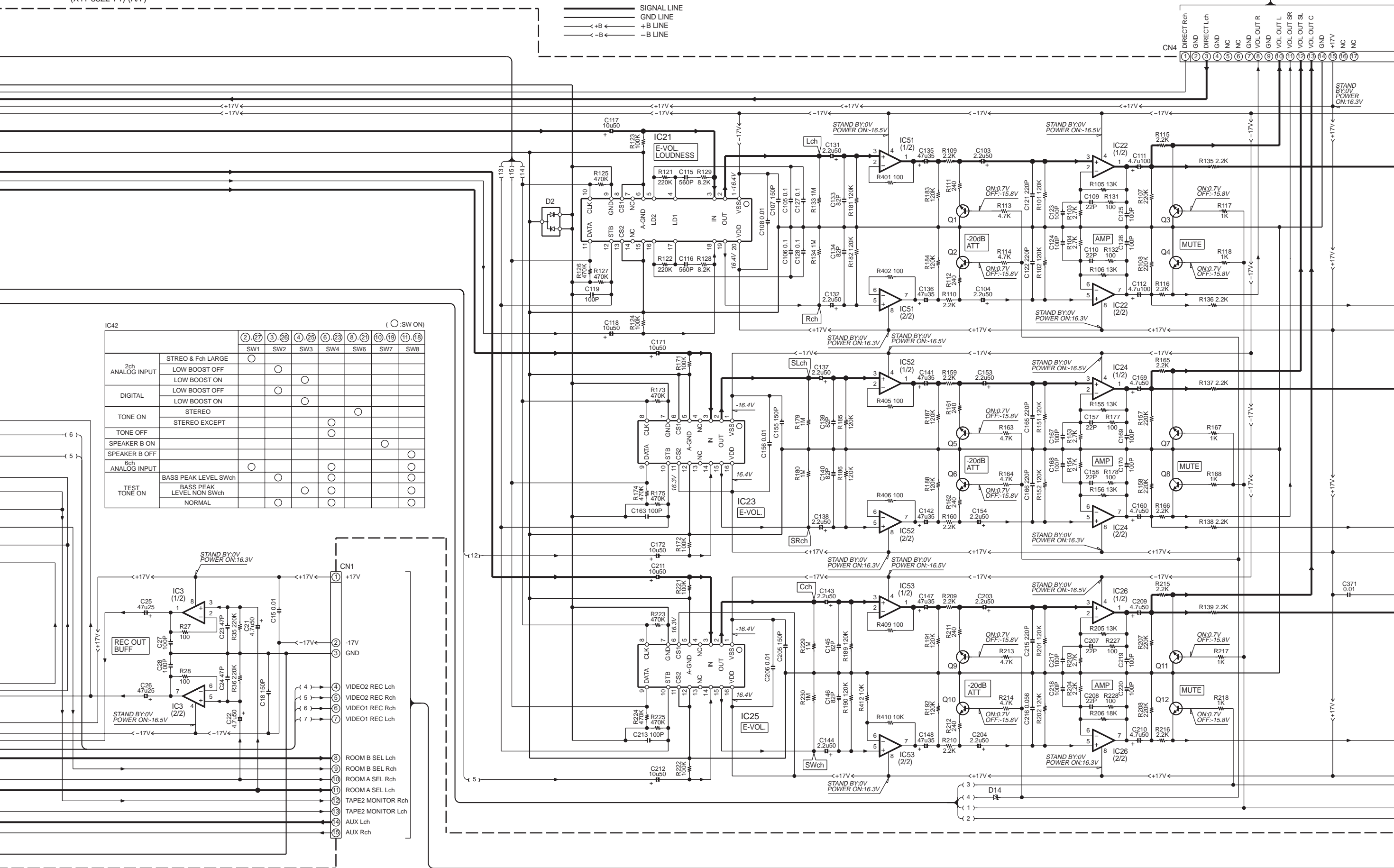
(X11-3822-71) (A/7)

The DC voltage is an actual reading measured with a high impedance type voltmeter with no signal input. The measurement value may vary depending on the measuring instruments used or on the product.

CAUTION: For continued safety, replace safety critical components only with manufacturer's recommended parts (refer to parts list). Δ indicates safety critical components. For continued protection against risk of fire, replace only with same type and rating fuse(s). To reduce the risk of electric shock, leakage-current or resistance measurements shall be carried out (exposed parts are acceptably insulated from the supply circuit) before the appliance is returned to the customer.



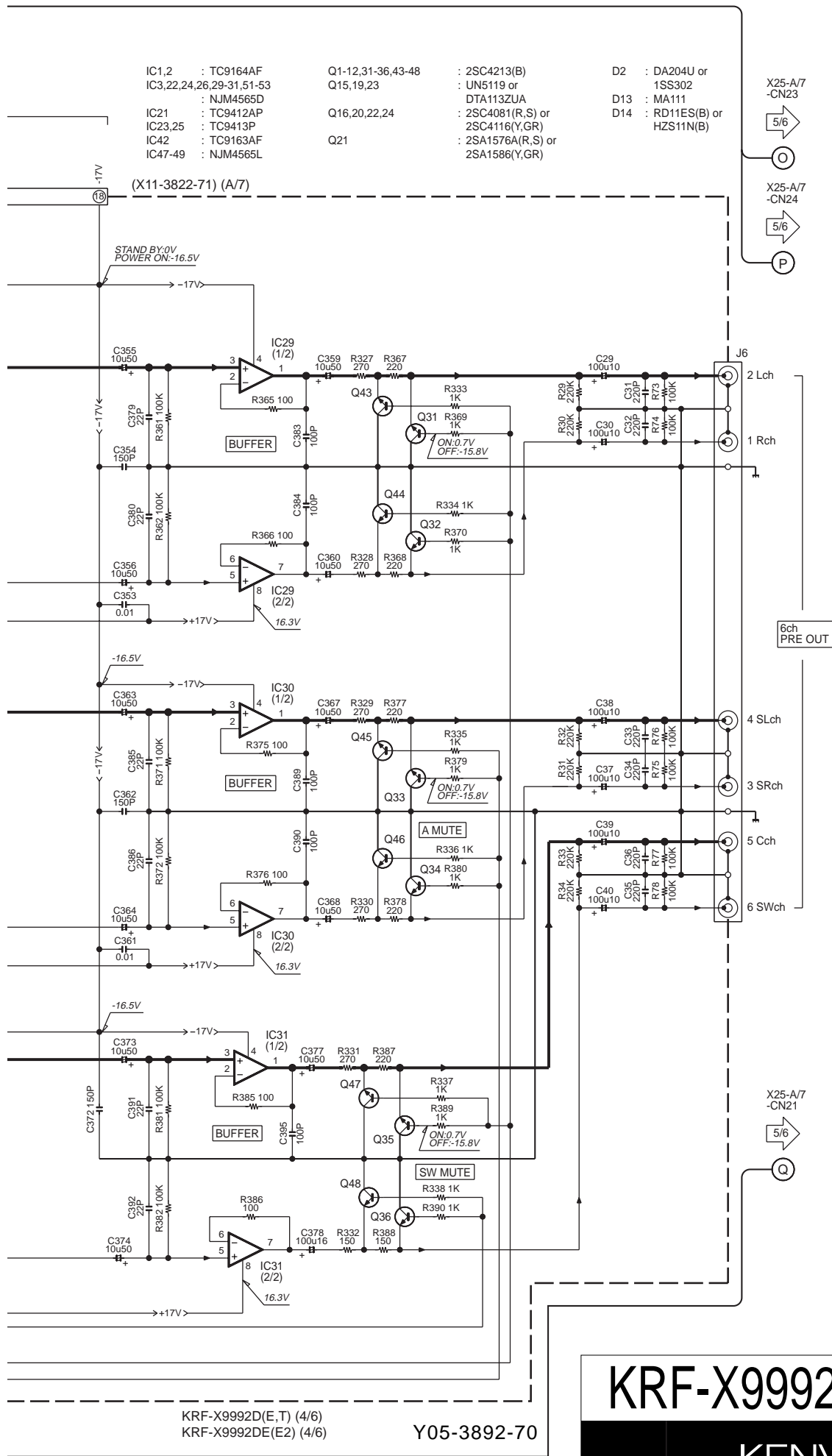
		(2)	(27)	(3)	(26)	(4)	(25)	(6)	(23)	(8)	(21)	(10)	(19)	(11)	(18)
		SW1	SW2	SW3	SW4	SW6	SW7	SW8							
2ch ANALOG INPUT	STREO & Fch LARGE	<input type="checkbox"/>	<input type="checkbox"/>	<input type="checkbox"/>	<input type="checkbox"/>	<input type="checkbox"/>	<input type="checkbox"/>	<input type="checkbox"/>	<input type="checkbox"/>	<input type="checkbox"/>	<input type="checkbox"/>	<input type="checkbox"/>	<input type="checkbox"/>	<input type="checkbox"/>	<input type="checkbox"/>
	LOW BOOST OFF	<input type="checkbox"/>	<input type="checkbox"/>	<input type="checkbox"/>	<input type="checkbox"/>	<input type="checkbox"/>	<input type="checkbox"/>	<input type="checkbox"/>	<input type="checkbox"/>	<input type="checkbox"/>	<input type="checkbox"/>	<input type="checkbox"/>	<input type="checkbox"/>	<input type="checkbox"/>	<input type="checkbox"/>
DIGITAL	LOW BOOST OFF	<input type="checkbox"/>	<input type="checkbox"/>	<input type="checkbox"/>	<input type="checkbox"/>	<input type="checkbox"/>	<input type="checkbox"/>	<input type="checkbox"/>	<input type="checkbox"/>	<input type="checkbox"/>	<input type="checkbox"/>	<input type="checkbox"/>	<input type="checkbox"/>	<input type="checkbox"/>	<input type="checkbox"/>
	LOW BOOST ON	<input type="checkbox"/>	<input type="checkbox"/>	<input type="checkbox"/>	<input type="checkbox"/>	<input type="checkbox"/>	<input type="checkbox"/>	<input type="checkbox"/>	<input type="checkbox"/>	<input type="checkbox"/>	<input type="checkbox"/>	<input type="checkbox"/>	<input type="checkbox"/>	<input type="checkbox"/>	<input type="checkbox"/>
TONE ON	STEREO	<input type="checkbox"/>	<input type="checkbox"/>	<input type="checkbox"/>	<input type="checkbox"/>	<input type="checkbox"/>	<input type="checkbox"/>	<input type="checkbox"/>	<input type="checkbox"/>	<input type="checkbox"/>	<input type="checkbox"/>	<input type="checkbox"/>	<input type="checkbox"/>	<input type="checkbox"/>	<input type="checkbox"/>
	STEREO EXCEPT	<input type="checkbox"/>	<input type="checkbox"/>	<input type="checkbox"/>	<input type="checkbox"/>	<input type="checkbox"/>	<input type="checkbox"/>	<input type="checkbox"/>	<input type="checkbox"/>	<input type="checkbox"/>	<input type="checkbox"/>	<input type="checkbox"/>	<input type="checkbox"/>	<input type="checkbox"/>	<input type="checkbox"/>
TONE OFF		<input type="checkbox"/>	<input type="checkbox"/>	<input type="checkbox"/>	<input type="checkbox"/>	<input type="checkbox"/>	<input type="checkbox"/>	<input type="checkbox"/>	<input type="checkbox"/>	<input type="checkbox"/>	<input type="checkbox"/>	<input type="checkbox"/>	<input type="checkbox"/>	<input type="checkbox"/>	<input type="checkbox"/>
SPEAKER B ON		<input type="checkbox"/>	<input type="checkbox"/>	<input type="checkbox"/>	<input type="checkbox"/>	<input type="checkbox"/>	<input type="checkbox"/>	<input type="checkbox"/>	<input type="checkbox"/>	<input type="checkbox"/>	<input type="checkbox"/>	<input type="checkbox"/>	<input type="checkbox"/>	<input type="checkbox"/>	<input type="checkbox"/>
SPEAKER B OFF		<input type="checkbox"/>	<input type="checkbox"/>	<input type="checkbox"/>	<input type="checkbox"/>	<input type="checkbox"/>	<input type="checkbox"/>	<input type="checkbox"/>	<input type="checkbox"/>	<input type="checkbox"/>	<input type="checkbox"/>	<input type="checkbox"/>	<input type="checkbox"/>	<input type="checkbox"/>	<input type="checkbox"/>
6ch ANALOG INPUT	BASS PEAK LEVEL SWch	<input type="checkbox"/>	<input type="checkbox"/>	<input type="checkbox"/>	<input type="checkbox"/>	<input type="checkbox"/>	<input type="checkbox"/>	<input type="checkbox"/>	<input type="checkbox"/>	<input type="checkbox"/>	<input type="checkbox"/>	<input type="checkbox"/>	<input type="checkbox"/>	<input type="checkbox"/>	<input type="checkbox"/>
	BASS PEAK LEVEL NON SWch	<input type="checkbox"/>	<input type="checkbox"/>	<input type="checkbox"/>	<input type="checkbox"/>	<input type="checkbox"/>	<input type="checkbox"/>	<input type="checkbox"/>	<input type="checkbox"/>	<input type="checkbox"/>	<input type="checkbox"/>	<input type="checkbox"/>	<input type="checkbox"/>	<input type="checkbox"/>	<input type="checkbox"/>
TEST TONE ON	NORMAL	<input type="checkbox"/>	<input type="checkbox"/>	<input type="checkbox"/>	<input type="checkbox"/>	<input type="checkbox"/>	<input type="checkbox"/>	<input type="checkbox"/>	<input type="checkbox"/>	<input type="checkbox"/>	<input type="checkbox"/>	<input type="checkbox"/>	<input type="checkbox"/>	<input type="checkbox"/>	<input type="checkbox"/>



IC1,2 : TC9164AF
 IC3,22,24,26,29-31,51-53 : NJM4565D
 IC21 : TC9412AP
 IC23,25 : TC9413P
 IC42 : TC9163AF
 IC47-49 : NJM4565L

Q1-12,31-36,43-48 : 2SC4213(B)
 Q15,19,23 : UN5119 or DTA113ZUA
 Q16,20,22,24 : 2SC4081(R,S) or 2SC4116(Y,GR)
 Q21 : 2SA1576A(R,S) or 2SA1586(Y,GR)

D2 : DA204U or 1SS302
 D13 : MA111
 D14 : RD11ES(B) or HZS11N(B)



KRF-X9992D(E,T) (4/6)
 KRF-X9992DE(E2) (4/6)

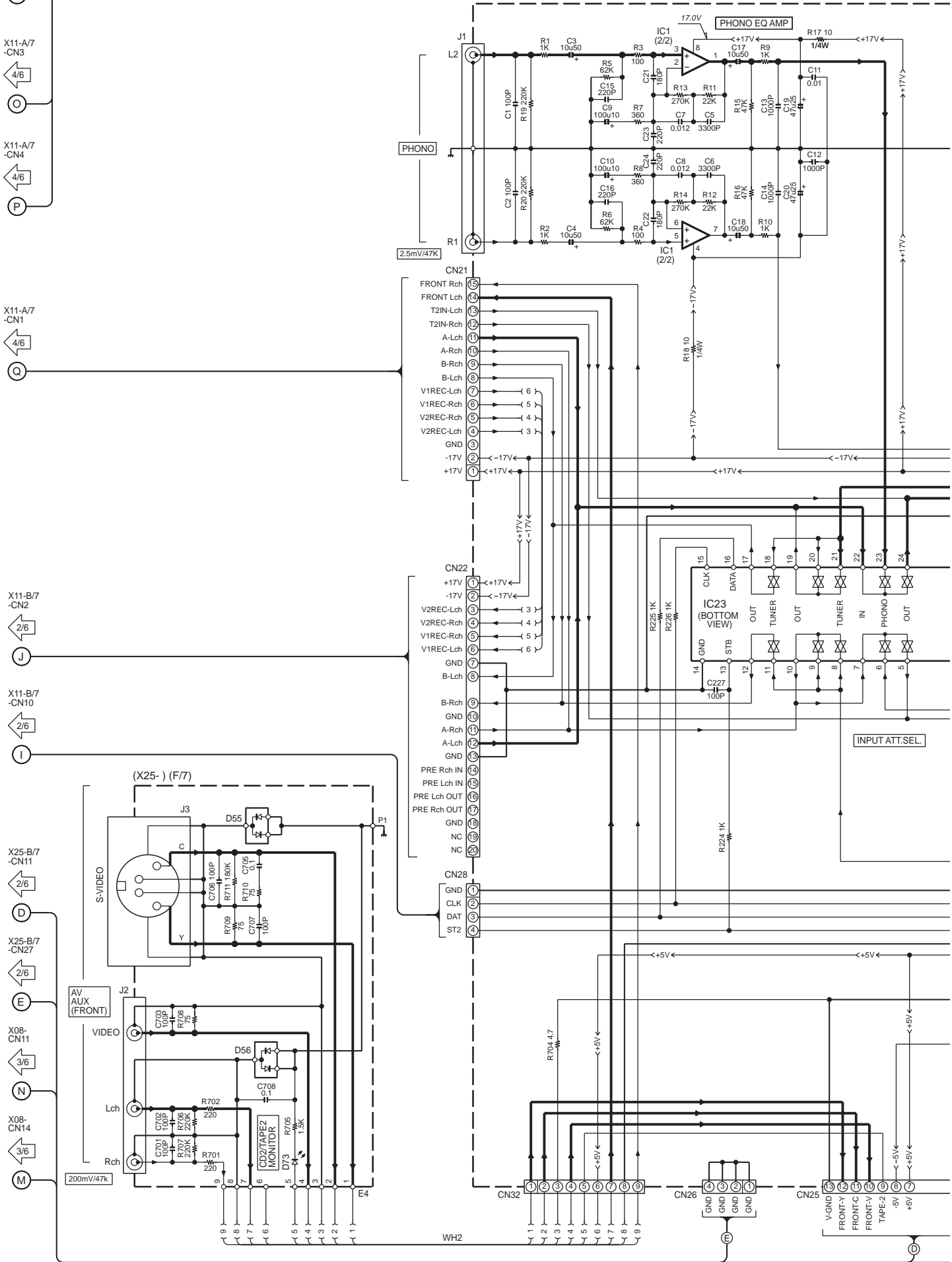
Y05-3892-70

KRF-X9992D/X9992DE

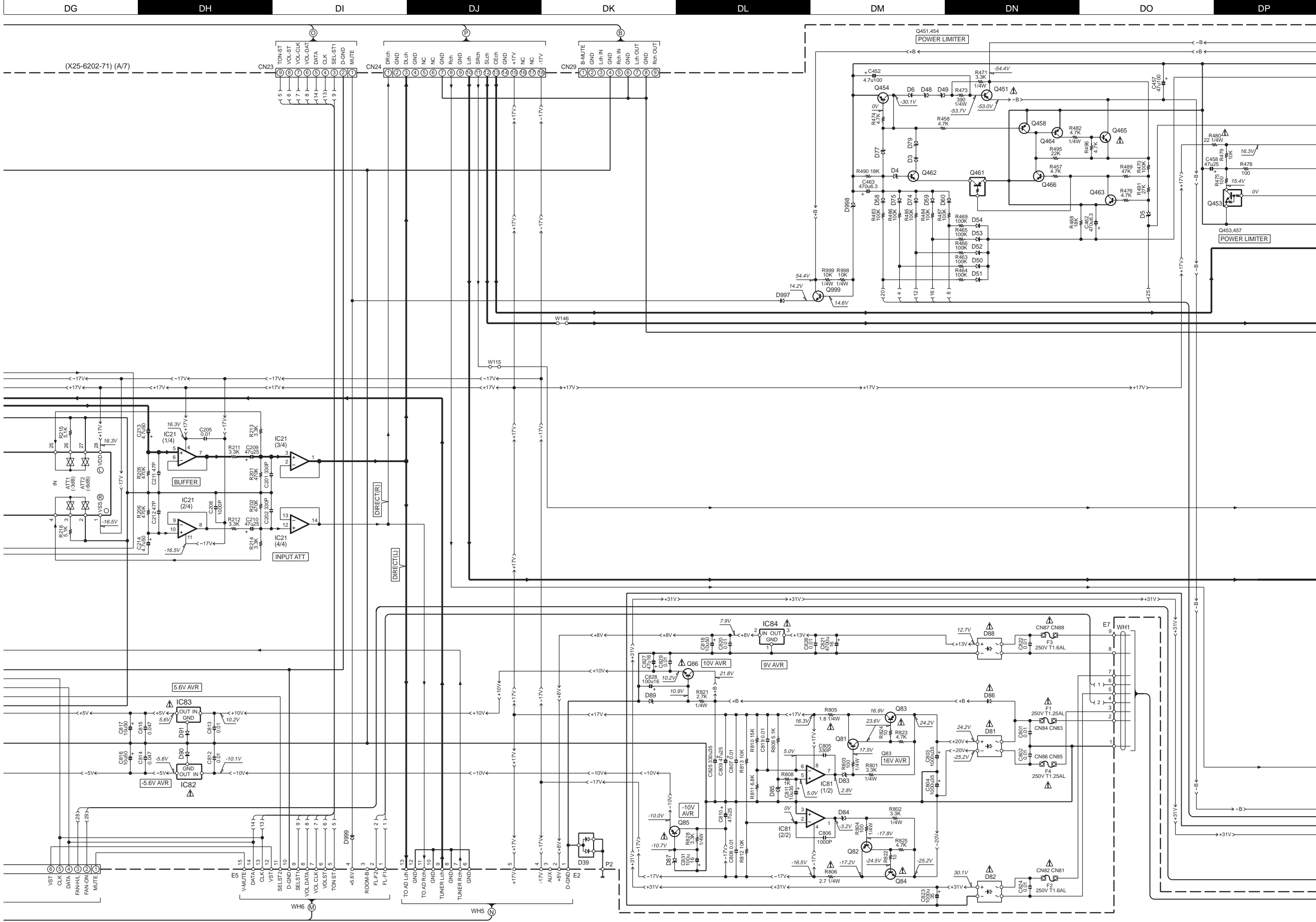
KENWOOD

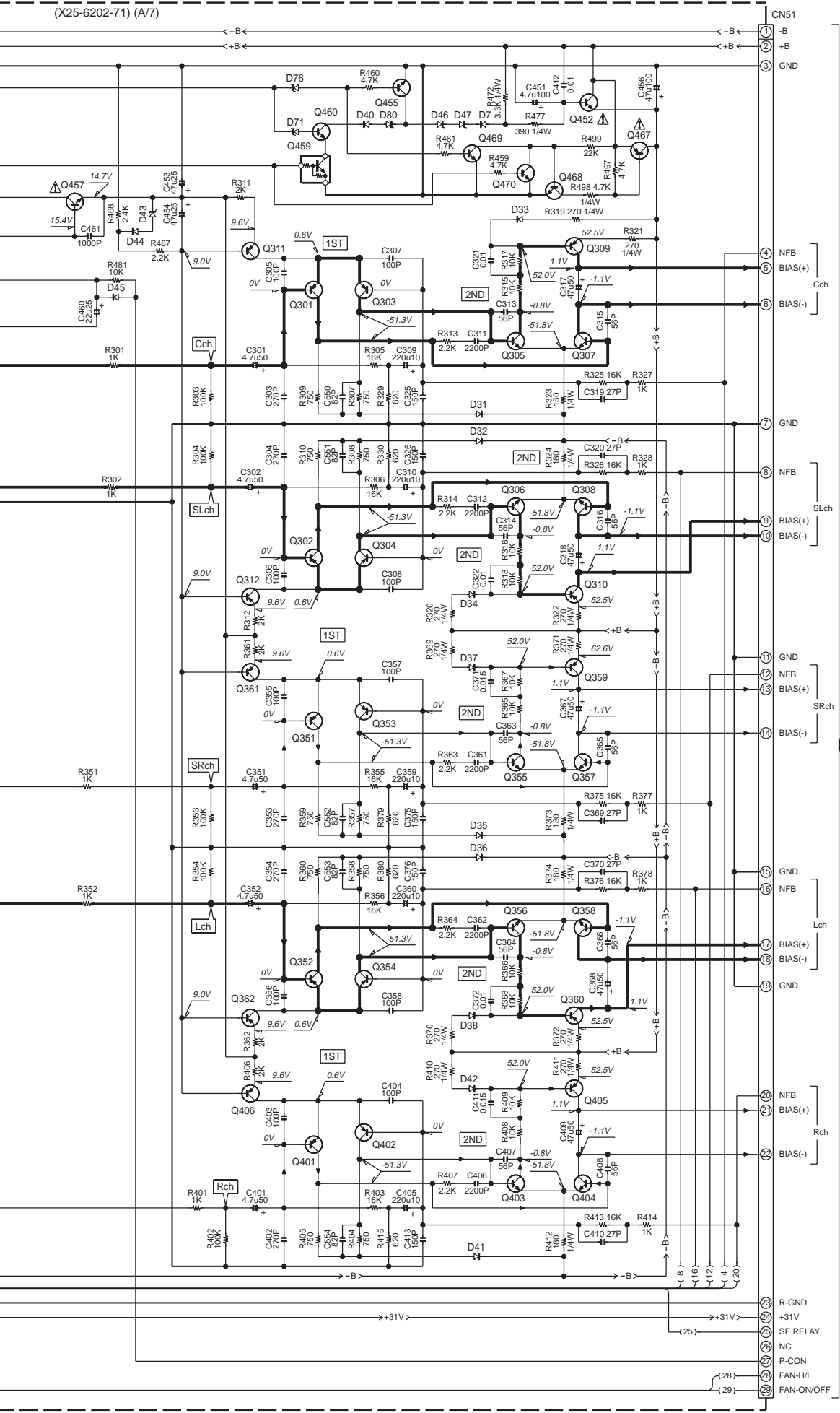
- X11-C/7 -CN7
- X11-A/7 -CN3
- X11-A/7 -CN4
- X11-A/7 -CN1
- X11-B/7 -CN2
- X11-B/7 -CN10
- X25-B/7 -CN11
- X25-B/7 -CN27
- X08-CN11
- X08-CN14

ELECTRIC UNIT
(X25-6202-71) (A/7)



1
2
3
4
5
6
7

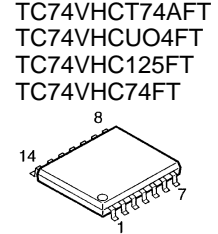
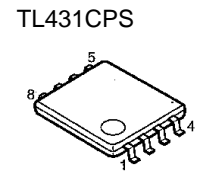
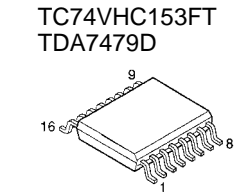
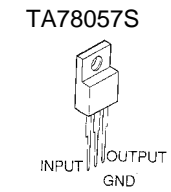
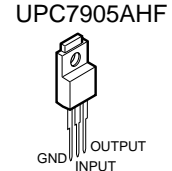
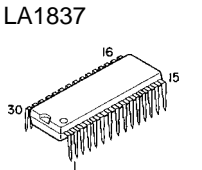
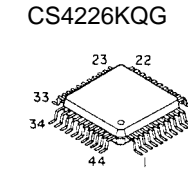
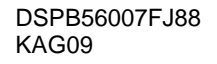
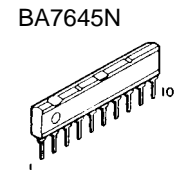
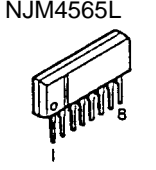
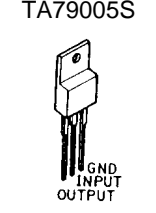
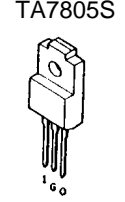
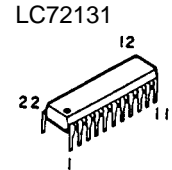
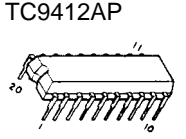
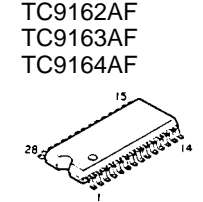
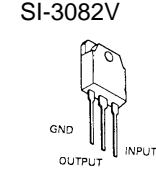
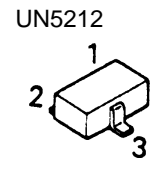




- | | |
|------------------------------------|----------------------------------|
| IC1 | : NJM4580ED |
| IC21 | : NJM2058D |
| IC23 | : TC9162AF |
| IC81 | : NJM4558D |
| IC82 | : TA79005S or UPC7905AHF |
| IC83 | : TA7805S or UPC7805AHF |
| IC84 | : SI-3082V |
| Q81 | : 2SC2458(Y,GR) or 2SC3311A(Q,R) |
| Q82 | : 2SA1048(Y,GR) or 2SA1309A(Q,R) |
| Q83,85 | : 2SB1370(E,F) or 2SB1375 |
| Q84,86 | : 2SD2061(E,F) or 2SD2012 |
| Q301-304,351-354,401,402,458, | |
| 463,464,466,467 | : 2SA992(F,E) |
| Q305-308,355-358,403,404 | |
| Q309,310,359,360,405 | : 2SC2631(R,S) |
| Q311,312,361,362,406 | : 2SA1123(R,S) |
| Q451 | : 2SA1586(Y,GR) |
| Q452 | : 2SA1535(R,S) |
| Q453 | : 2SC3944(R,S) |
| Q454,462 | : UN5212 or DTC124EUA |
| Q455,457,460 | : 2SA1611(M5,M6) |
| Q459 | : 2SC4177(L5,L6) |
| Q461 | : DTC124EUA or UN5212 |
| Q465,468-470 | : DTA143TUA or UN5116 |
| Q999 | : 2SC1845(F,E) |
| | : 2SC3244 |
| D3,6,7,40,44,45,50-54,58-60,74,75, | |
| 90,91,999 | : MA111 |
| D4,5,71 | : RD2.7ES(B) or HZS2.7N(B) |
| D31-38,41,42,997 | : 1SS133 or HSS104 |
| D39,55,56 | : DA204K |
| D43,76,77,85 | : RD5.1JS(B2) or HZS5.1S(B2) |
| D46,48 | : RD24ES(B2) or HZS24N(B2) |
| D47,49 | : RD18ES(B) or HZS18N(B) |
| D73 | : B30-2493-05 |
| D79,80 | : RD5.6ES(B2) or HZS5.6N(B2) |
| D81,82 | : 1B4B41 |
| D83,84,998 | : RD15ES(B) or HZS15N(B) |
| D86 | : S5688B |
| D87,89 | : RD11JS(B) or HZS11N(B) |
| D88 | : D3SBA20F03 |

X25-E/7
-E6
6/6
S

KRF-X9992D(E,T) (5/6)
KRF-X9992DE(E2) (5/6)



CAUTION: For continued safety, replace safety critical components only with manufacturer's recommended parts (refer to parts list). Δ indicates safety critical components. For continued protection against risk of fire, replace only with same type and rating fuse(s). To reduce the risk of electric shock, leakage-current or resistance measurements shall be carried out (exposed parts are acceptably insulated from the supply circuit) before the appliance is returned to the customer.

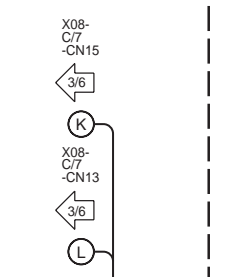
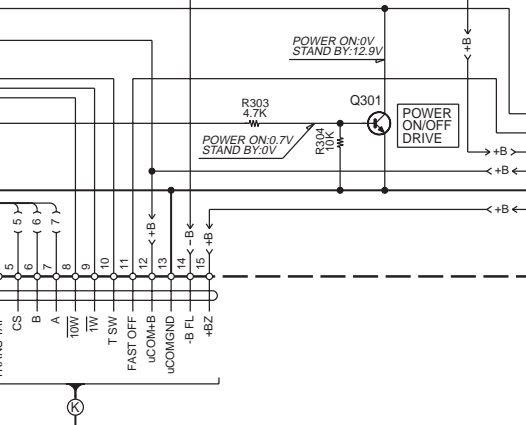
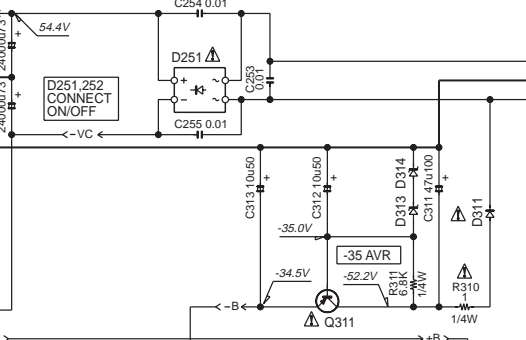
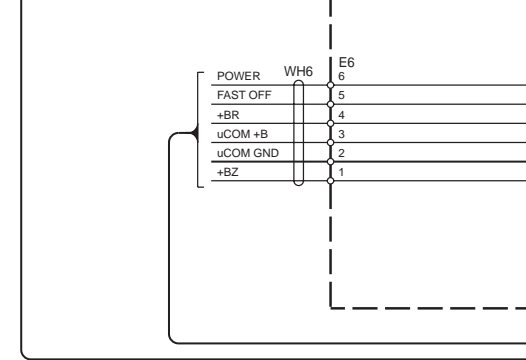
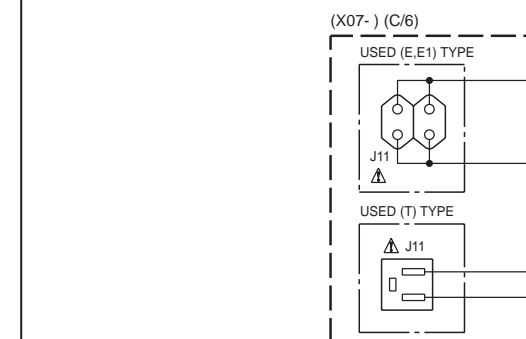
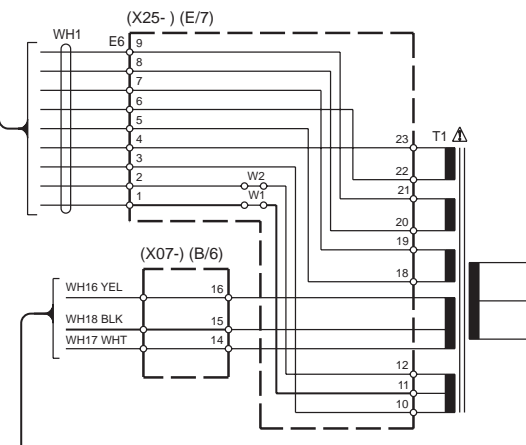
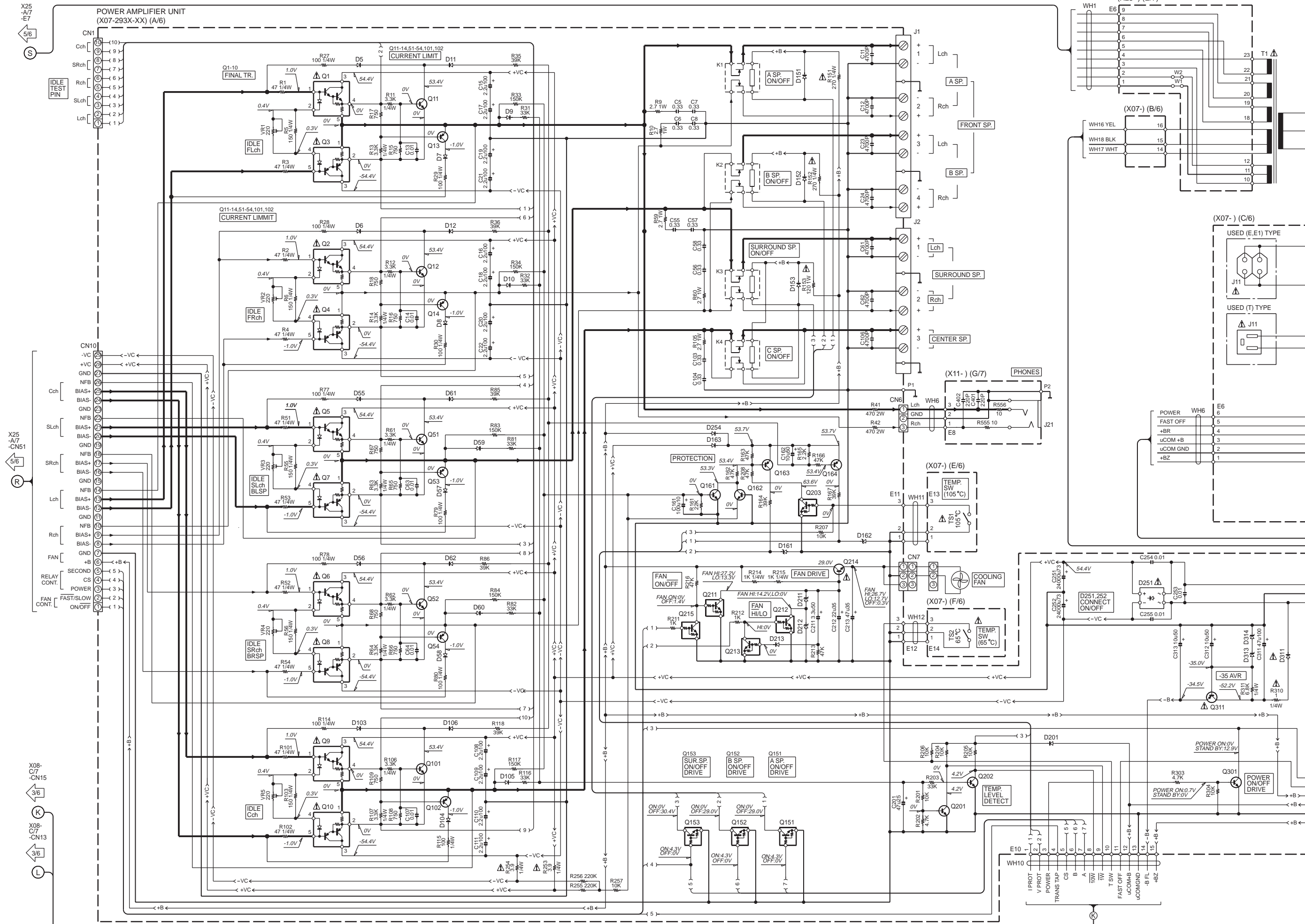
The DC voltage is an actual reading measured with a high impedance type voltmeter with no signal input. The measurement value may vary depending on the measuring instruments used or on the product.

Y05-3892-70

KRF-X9992D/X9992DE

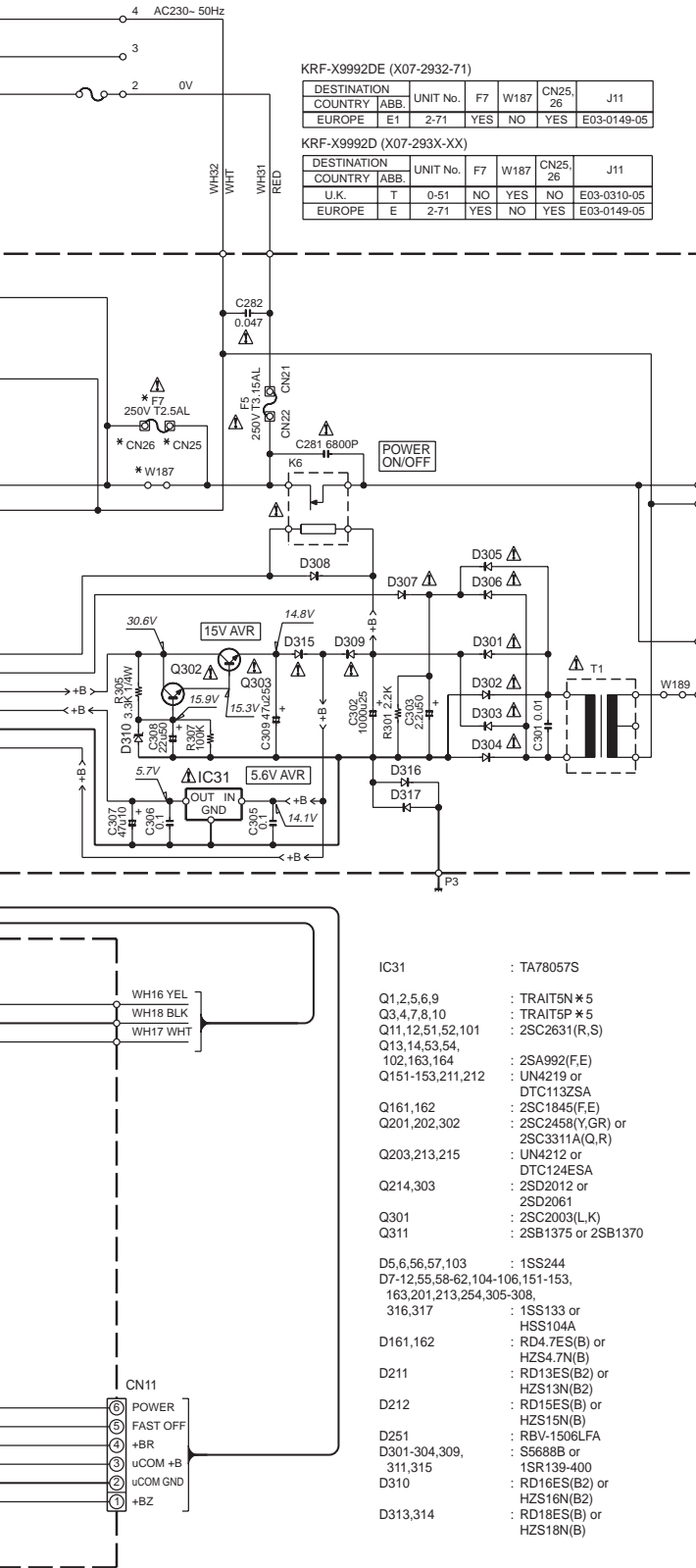
KENWOOD

POWER AMPLIFIER UNIT
(X07-293X-XX) (A/6)



1
2
3
4
5
6
7

DISPLAY UNIT
(X25-6202-71) (C/7)

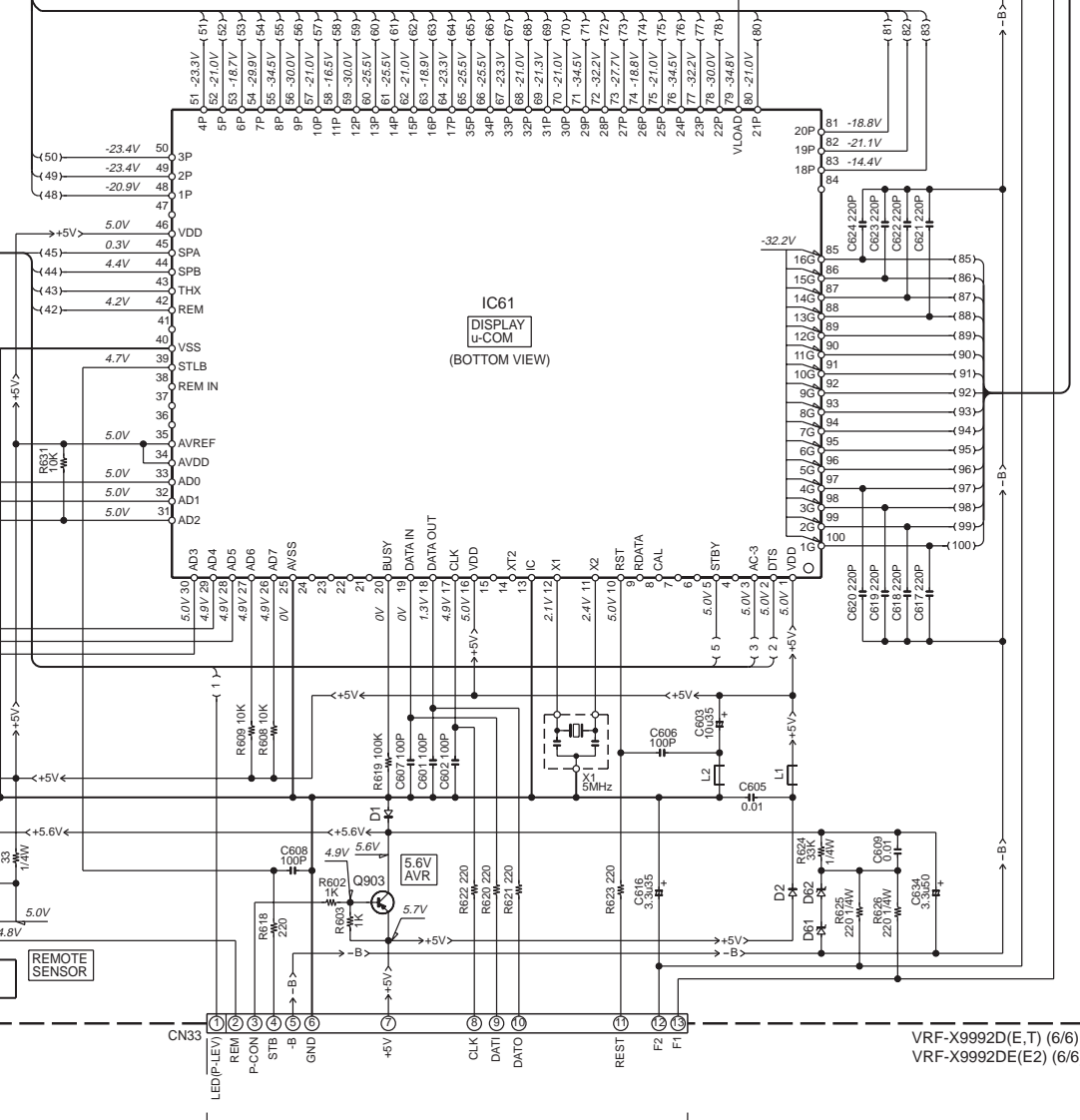
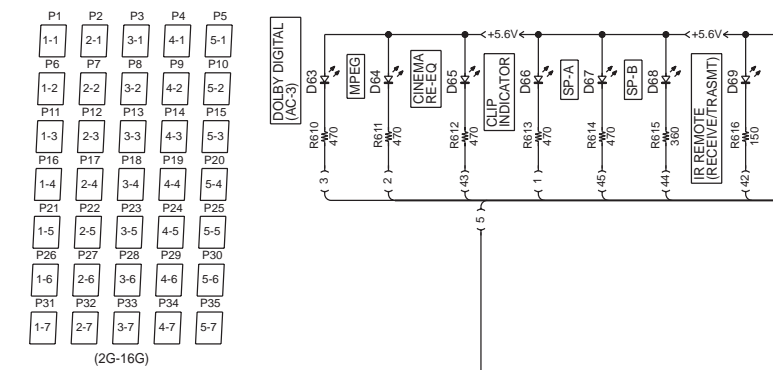
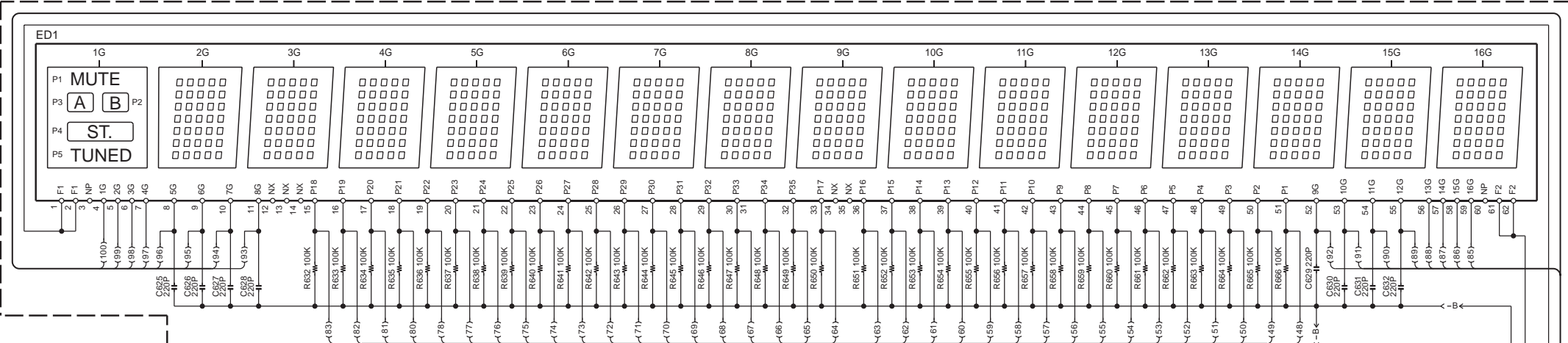


KRF-X9992DE (X07-2932-71)

DESTINATION	COUNTRY	ABB.	UNIT No.	F7	W187	CN25, 26	J11
EUROPE	E1		2-71	YES	NO	YES	E03-0149-05

KRF-X9992D (X07-293X-XX)

DESTINATION	COUNTRY	ABB.	UNIT No.	F7	W187	CN25, 26	J11
U.K.	T		0-51	NO	NO	YES	E03-0310-05
EUROPE	E		2-71	YES	NO	YES	E03-0149-05



IC31 : TA78057S

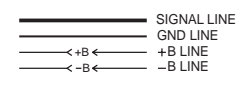
Q1,2,5,6,9 : TRAIT5N * 5
Q3,4,7,8,10 : TRAIT5P * 6
Q11,12,51,52,101 : 2SC2631(R,S)
Q13,14,53,54,102,163,164 : 2SA992(F,E)
Q151-153,211,212 : UN4219 or DTC113ZSA
Q161,162 : 2SC1845(F,E)
Q201,202,302 : 2SC2458(Y,GR) or 2SC3311A(Q,R)
Q203,213,215 : UN4212 or DTC124ESA
Q214,303 : 2SD2012 or 2SD2061
Q301 : 2SC2003(L,K)
Q311 : 2SB1375 or 2SB1370

D5,6,56,57,103 : 1SS244
D7-12,55,58-62,104-106,151-153,163,201,213,254,305-308,316,317 : 1SS133 or HSS104A
D161,162 : RD4.7ES(B) or HZS4.7N(B)
D211 : RD13ES(B2) or HZS13N(B2)
D212 : RD15ES(B) or HZS15N(B)
D251 : RBV-1506LFA
D301-304,309,311,315 : S5688B or 1SR139-400
D310 : RD16ES(B2) or HZS16N(B2)
D313,314 : RD18ES(B) or HZS18N(B)

IC61 : uPD780204-038
Q903 : 2SA1611(M5,M6)
D1 : MA111
D2 : U1BC44
D61 : RD3.3ES(B) or HZS3.3N(B)
D62 : RD2.7ES(B) or HZS2.7N(B)
D63-66,70 : B30-2493-05
D67,68 : B30-2430-05
D69 : B30-1010-05
A1 : W02-2571-05

CAUTION: For continued safety, replace safety critical components only with manufacturer's recommended parts (refer to parts list). Δ indicates safety critical components. For continued protection against risk of fire, replace only with same type and rating fuse(s). To reduce the risk of electric shock, leakage-current or resistance measurements shall be carried out (exposed parts are acceptably insulated from the supply circuit) before the appliance is returned to the customer.

The DC voltage is an actual reading measured with a high impedance type voltmeter with no signal input. The measurement value may vary depending on the measuring instruments used or on the product.

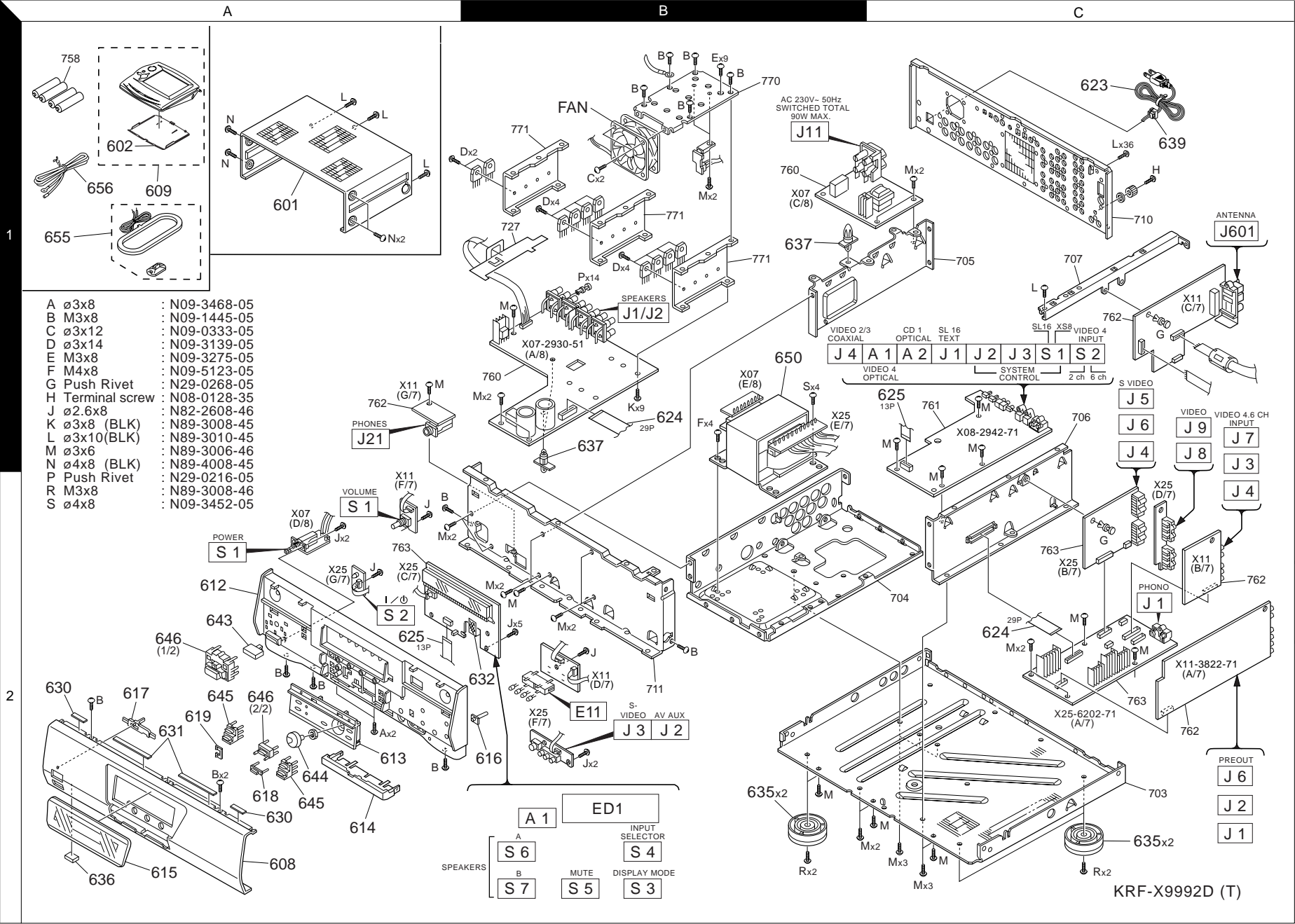


Y05-3892-70

KRF-X9992D/X9992DE

KENWOOD

Parts with exploded numbers larger than 700 are not supplied.



EXPLODED VIEW (UNIT)

KRF-X9992D/X9992DE

* New Parts
 Parts without **Parts No.** are not supplied.
 Les articles non mentionnés dans le **Parts No.** ne sont pas fournis.
 Teile ohne **Parts No.** werden nicht geliefert.

①

Ref. No	Add-ress	New Parts	Parts No.	Description	Desti-nation	Re-marks
KRF-X9992D/X9992DE E1: KRF-X9992DE						
601	1A		A01-3680-01	METALLIC CABINET		
602	1A	*	A09-1130-08	BATTERY COVER		
608	2A	*	A60-1649-12	PANEL		
609	1A	*	A70-1290-05	REMOTE CONTROLLER ASSY(RC-R1007)		
612	2A		B01-0533-21	PANEL ESCUTCHEON		
613	2A		B07-2396-22	ESCUTCHEON		
614	2A		B10-2418-03	FRONT GLASS		
615	2A	*	B10-3503-03	FRONT GLASS		
616	2B		B12-0303-24	INDICATOR		
617	2A		B12-0326-04	INDICATOR		
618	2A		B12-0331-04	INDICATOR		
619	2A		B12-0333-04	INDICATOR		
-			B46-0310-03	WARRANTY CARD		
-			B58-0945-03	CAUTION CARD	T1	
-			B58-0965-13	CAUTION CARD (PL)	T1	
-			B58-0966-13	CAUTION CARD (PL)	E	
-			B58-1607-03	CAUTION CARD	E1	
-		*	B59-1438-00	SUB-INSTRUCTION MANUAL		
-		*	B60-4326-00	INSTRUCTION MANUAL(EN)	T1E1	
-		*	B60-4327-00	INSTRUCTION MANUAL(EN)	T1E1	
-		*	B60-4328-00	INSTRUCTION MANUAL(FR)	E	
-		*	B60-4329-00	INSTRUCTION MANUAL(FR)	E	
-		*	B60-4330-00	INSTRUCTION MANUAL(GE)	E	
-		*	B60-4331-00	INSTRUCTION MANUAL(GE)	E	
-		*	B60-4332-00	INSTRUCTION MANUAL(NE)	E	
-		*	B60-4333-00	INSTRUCTION MANUAL(NE)	E	
△ 623	1C		E30-2579-05	AC POWER CORD	EE1	
△ 623	1C		E30-2718-05	AC POWER CORD	T1	
624	1B,2C		E35-2056-05	FLAT CABLE 29P		
625	2A,1C		E35-2057-05	FLAT CABLE 13P		
630	2A		G11-0155-14	SOFT TAPE (40X9X2)		
631	2A		G11-0185-04	SOFT TAPE (120X5X2)		
632	2B		G11-2405-04	SOFT TAPE		
-		*	G11-2489-04	CUSHION		
-		*	G13-0597-04	CUSHION		
-			H10-7416-22	POLYSTYRENE FOAMED FIXTURE		
-			H10-7417-32	POLYSTYRENE FOAMED FIXTURE		
-			H11-0094-04	POLYSTYRENE FOAMED BOARD		
-		*	H13-0311-14	CARTON BOARD		
-		*	H21-0374-04	PROTECTION SHEET		
-			H25-0232-04	PROTECTION BAG (235X350X0.03)	EE1	
-			H25-0651-04	PROTECTION BAG	T1	
-		*	H50-3286-04	ITEM CARTON CASE	ET1	
-		*	H50-3336-04	ITEM CARTON CASE	E1	
635	2B,2C		J02-1404-13	FOOT (D=46,H=18.5,T)		
636	2A		J30-0480-04	SPACER		
△ 637	1B		J19-5910-05	UNIT HOLDER		
639	1C		J42-0083-05	POWER CORD BUSHING		
-			J61-0098-05	WIRE BAND		
643	2A		K27-2248-04	KNOB (BUTTON) POWER		
644	2A		K29-6852-04	KNOB VOLUME		
645	2A		K29-6855-03	KNOB TACT		

L : Scandinavia K : USA P : Canada R : Mexico C : China I : Malaysia
 Y : PX(Far East, Hawaii) T : England E : Europe G : Germany V : China (Shanghai)
 Y : AAFES(Europe) X : Australia Q : Russia H : Korea M : Other Areas △ indicates safety critical components.

* New Parts
 Parts without **Parts No.** are not supplied.
 Les articles non mentionnés dans le **Parts No.** ne sont pas fournis.
 Teile ohne **Parts No.** werden nicht geliefert.

②

Ref. No	Add-ress	New Parts	Parts No.	Description	Desti-nation	Re-marks
646	2A		K29-6858-12	KNOB POWER		
650	1B		L07-2461-05	POWER TRANSFORMER		
-			L92-0070-05	FERRITE CORE		
655	1A		T90-0833-05	LOOP ANTENNA		
656	1A		T90-0841-05	LEAD WIRE ANTENNA		

L : Scandinavia K : USA P : Canada R : Mexico C : China I : Malaysia
 Y : PX(Far East, Hawaii) T : England E : Europe G : Germany V : China (Shanghai)
 Y : AAFES(Europe) X : Australia Q : Russia H : Korea M : Other Areas △ indicates safety critical components.

PARTS LIST

KRF-X9992D/X9992DE

KRF-X9992D/X9992DE

PARTS LIST

(Refer to page 4)

* New Parts
Parts without **Parts No.** are not supplied.
Les articles non mentionnés dans le **Parts No.** ne sont pas fournis.
Teile ohne **Parts No.** werden nicht geliefert.

3

Ref. No	New Parts	Parts No.	Desti-nation	Ref. No	New Parts	Parts No.	Desti-nation	Ref. No	New Parts	Parts No.	Desti-nation
POWER(X07-2932-71)											
C5 -8		CF92FV1H334J		△ R310		RD14NB2E1R0J		△ Q214		2SD2012	
C11 ,12		CQ93FMG1H472J		R311		RD14NB2E682J		△ Q214		2SD2061	
C13 ,14		CK45FF1H103ZMU		VR1 -5		R32-0030-05		Q215		DTC124ESA	
C15 -22		CE04KW2A2R2M						Q215		UN4212	
C23 ,24		CQ93FMG1H472J						Q301		2SC2003(L,K)	
C55 -58		CF92FV1H334J						△ Q302		2SC2458(Y,GR)	
C61 ,62		CQ93FMG1H472J						△ Q302		2SC3311A(Q,R)	
C63 ,64		CK45FF1H103ZMU						△ Q303		2SD2012	
C103,104		CF92FV1H334J						△ Q303		2SD2061	
C106		CQ93FMG1H472J						△ Q311		2SB1370	
C107		CK45FF1H103ZMU									
C108-111		CE04KW2A2R2M						SURROUND(X08-2942-71)			
C161		CE04KW1A101M						C2 ,3		CC73FSL1H470J	
C162		CE04KW1H100M						C4 -7		CC73FSL1H101J	
C201		CE04KW1E470M						C11		CC73FSL1H100D	
C211		CE04KW1H3R3M						C12		CE04KW1H2R2M	
C212		CE04KW1V220M						C13 ,14		CC73FSL1H101J	
C213		CE04KW1V470M						C15		CC73FSL1H331J	
C251,252		C90-3750-05						C16		CC73FSL1H100D	
C253-255		CK45FE2H103PMM						C18 ,19		CK73FB1E104K	
△ C281		C91-1488-05						C20		CK73FB1H103K	
△ C282		C91-1444-05						C21		CE04KW1A101M	
C301		CK45FF1H103ZMU						C22		CE04KW1H010M	
C302		CE04KW1E102M						C23		CK73FB1H102K	
C303		CE04KW1H2R2M						C24		CK73FB1E104K	
C305,306		CF92FV1H104J						C25		C90-1826-05	
C307		CE04KW1A470M						C26		CK73FF1C105Z	
C308		CE04KW1H220M						C27		CE04KW1A101M	
C309		CE04KW1E470M						C28		CK73FB1H103K	
C311		CE04KW2A470M						C29		CK73FB1E104K	
C312,313		CE04KW1H100M						C30 ,31		CK73FB1H103K	
CN1		E40-4879-05						C32		CE04KW1H100M	
CN6		E40-4293-05						C33		CK73FB1E104K	
CN7		E40-3247-05						C34		CE04KW1H100M	
CN10		E40-4916-05						C35 ,36		CK73FB1E104K	
CN11		E40-4296-05						C37		CE04KW1H100M	
J1		E70-0095-05						C38 ,39		CK73FB1E104K	
J2		E70-0096-05						C40		CC73FSL1H102J	
△ J11		E03-0149-05	EE1					C41		CK73FB1E104K	
△ J11		E03-0310-05	T1					C42		CE04KW1A470M	
P1		E29-1625-04						C61		CK73FB1E104K	
△ F5		F05-6321-05	EE1					C63 -66		CK73FB1E104K	
△ F7		F05-2525-05						C68		CK73FB1H822K	
FAN		F09-0139-05						C70 ,71		CK73FB1H102K	
CN21,22		J13-0075-05						C73 -75		CC73FSL1H470J	
CN21,22		J13-0092-05						C76		CK73FB1H102K	
CN25,26		J13-0075-05	EE1					C78 -80		CC73FSL1H101J	
CN25,26		J13-0092-05	EE1					C81		CC73FSL1H470J	
E21		J11-0808-05						C82		CC73FSL1H102J	
E22 ,23		J11-0831-05						C83		CE04KW1E470M	
△ T1		L07-2322-05						C84		CK73FB1E104K	
R1 -4		RD14NB2E470J						C85 ,86		CC73FSL1H470J	
R5 ,6		RD14NB2E151J						C88		CE04KW1A101M	
R9 ,10		RS14KB3A2R7J						C89		CK73FB1E104K	
R11 -14		RD14NB2E332J						C90		CC73FSL1H470J	
R27 -30		RD14NB2E101J						C91		CK73FB1E104K	
R41 ,42		RS14KB3D471J						C92		CE04KW1A101M	
R51 -54		RD14NB2E470J						C93		CC73FSL1H470J	
R55 ,56		RD14NB2E151J						C94		CK73FB1E104K	
R59 ,60		RS14KB3A2R7J						C95		CE04KW1A101M	
R61 -64		RD14NB2E332J						C96 ,97		CC73FSL1H101J	
R77 -80		RD14NB2E101J						C98 ,99		CC73FSL1H102J	
R101,102		RD14NB2E470J						C100-102		CC73FSL1H470J	
R103		RD14NB2E151J						C103		CK73FB1E104K	
R105		RS14KB3A2R7J						C104		CC73FSL1H470J	
R106,107		RD14NB2E332J						C106		CK73FB1E104K	
R114,115		RD14NB2E101J						C107		CK73FB1H223K	
△ R151,152		RD14NB2E271J						C108		CK73FB1C224K	
△ R153		RS14KB3A121J						C109		CK73FB1E104K	
△ R214,215		RD14NB2E102J						C110		CE04KW1H010M	
△ R253,254		RD14NB2E3R9J						C116		CK73FB1H102K	
R305		RD14NB2E332J						C117,118		CK73FB1E104K	
								C119		CK73FB1H102K	
								C121		CK73FB1E104K	
								C125-127		CC73FSL1H101J	
								C128		CC73FSL1H470J	

L : Scandinavia K : USA P : Canada R : Mexico C : China
Y : PX(Far East, Hawaii) T : England E : Europe G : Germany V : China (Shanghai)
Y : AAFES(Europe) X : Australia Q : Russia H : Korea M : Other Areas

△ indicates safety critical components.

KRF-X9992D/X9992DE

PARTS LIST

(Refer to page 4)

* New Parts

Parts without **Parts No.** are not supplied.

Les articles non mentionnés dans le **Parts No.** ne sont pas fournis.

Teile ohne **Parts No.** werden nicht geliefert.

4

Ref. No	New Parts	Parts No.	Desti-nation
C129		CC73FSL1H101J	
C130		CK73FB1E104K	
C131		CC73FSL1H102J	
C133,134		CC73FSL1H101J	
C136		CC73FSL1H220J	
C137		CC73FSL1H470J	
C138		CC73FSL1H101J	
C139,140		CK73FB1E104K	
C142		CE04KW1A101M	
C143,144		CK73FB1E104K	
C145-147		CE04KW1A101M	
C148-151		CK73FB1E104K	
C152,153		CE04KW1A101M	
C154		CK73FB1H103K	
C155,156		CK73FB1E104K	
C157		CE04KW1E221M	
C158		C92-0646-05	
C159		C93-0039-05	
C160		C92-0646-05	
C161		C93-0039-05	
C162		C93-0038-05	
C163		C92-0654-05	
C164		C93-0038-05	
C165		C92-0654-05	
C166,167		CK73FB1E104K	
C168		CE04KW1A470M	
C169-171		CE04KW1H100M	
C172		CC73FSL1H470J	
C173		CC73FSL1H101J	
C174		CK73FB1E104K	
C175		CK73FB1H102K	
C176-179		CK73FB1E104K	
C180		CC73FSL1H471J	
C183		CK73FB1E104K	
C186,187		CC73FSL1H221J	
C188		CC73FSL1H101J	
C189		CK73FB1H103K	
C190,191		CC73FSL1H220J	
C192,193		CE04KW1H477M	
C194,195		CK73FB1E104K	
C199-202		CC73FSL1H220J	
C205,206		CC73FSL1H681J	
C207,208		CC73FSL1H151J	
C209,210		CC73FSL1H182J	
C211		CK73FB1H103K	
C212		CC73FSL1H101J	
C213,214		CE04KW1H220M	
C215,216		CC73FSL1H101J	
C217,218		CE04KW1H220M	
C219,220		CC73FSL1H151J	
C225,226		CK73FB1E104K	
C230		CK73FB1E104K	
C231		CC73FSL1H681J	
C232		CK73FB1H222K	
C233		CC73FSL1H151J	
C234		CK73FB1H103K	
C235		CK73FB1H222K	
C236		CK73FB1H223K	
C237		CK73FB1H103K	
C238		CC73FSL1H101J	
C239,240		CE04KW1H477M	
C241,242		CC73FSL1H101J	
C243,244		CE04KW1H477M	
C245		CK73FB1H122K	
C246		CK73FB1H222K	
C247		CK73FB1E104K	
C249		CK73FB1H102K	
C250		CK73FB1E104K	
C257,258		CC73FSL1H681J	
C259,260		CC73FSL1H151J	
C261,262		CK73FB1H222K	
C263		CK73FB1H103K	
C264		CC73FSL1H101J	
C265,266		CE04KW1H477M	
C267,268		CC73FSL1H101J	
C269,270		CE04KW1H477M	
C271,272		CK73FB1H122K	

Ref. No	New Parts	Parts No.	Desti-nation
C273-276		CC73FSL1H101J	
C277,278		CC73FSL1H470J	
C279,280		CK73FB1H102K	
C281,282		CK73FB1E104K	
C283		CC73FSL1H101J	
C284,285		CC73FSL1H470J	
C286		CE04KW1A101M	
CN11		E40-4607-05	
CN12		E40-4609-05	
CN13		E40-4900-05	
CN14,15		E40-4609-05	
CN17		E40-4295-05	
CN19		E40-4808-05	
J1		E11-0360-05	
J2 ,3		E11-0374-05	
J4		E63-1069-05	
P1		E29-1636-04	
L2 -6		L92-0081-05	
L7 -9		L92-0091-05	
L21 -23		L40-1011-39	
L26 ,27		L92-0091-05	
L28		L33-0578-05	
L29		L33-0577-05	
L30		L33-0578-05	
L31 -37		L92-0091-05	
L39		L92-0091-05	
L40 ,41		L40-1015-34	
L43		L92-0091-05	
X1		L77-2002-05	
X2		L78-0267-05	
X3		L78-0674-05	
X4		L78-0271-05	
R1 -27		RK73FB2A101J	
R33		RK73FB2A103J	
R39 ,40		RK73FB2A331J	
R41 ,42		RK73FB2A101J	
R48		RK73FB2A473J	
R49		RK73FB2A101J	
R50 -53		RK73FB2A104J	
R54 -61		RK73FB2A473J	
R62		RK73FB2A101J	
R63		RK73FB2A104J	
R65		RK73FB2A473J	
R66 -68		RK73FB2A101J	
R69 -73		RK73FB2A473J	
R74		RK73FB2A821J	
R75		RK73FB2A103J	
R76		RK73FB2A104J	
R77		RK73FB2A103J	
R78		RK73FB2A102J	
R79		RK73FB2A103J	
R80 ,81		RK73FB2A102J	
R82 -98		RK73FB2A473J	
R99 ,100		RK73FB2A103J	
R101-106		RK73FB2A473J	
R108-117		RK73FB2A101J	
R118,119		RK73FB2A473J	
R121		RK73FB2A393J	
R123		RK73FB2A563J	
R124-134		RK73FB2A473J	
R135		RK73FB2A393J	
R137		RK73FB2A393J	
R139-141		RK73FB2A473J	
R142		RK73FB2A103J	
R143-155		RK73FB2A473J	
R156,157		RK73FB2A101J	
R158-165		RK73FB2A473J	
R166-169		RK73FB2A101J	
R170-177		RK73FB2A473J	
R178		RK73FB2A101J	
R179-186		RK73FB2A473J	
R187		RK73FB2A563J	
R188,189		RK73FB2A473J	
R190		RK73FB2A101J	
R191-193		RK73FB2A473J	

Ref. No	New Parts	Parts No.	Desti-nation
R195		RK73FB2A473J	
R196-203		RK73FB2A101J	
R204		RK73FB2A393J	
R206-216		RK73FB2A473J	
R217-221		RK73FB2A101J	
R226,227		RK73FB2A473J	
R228-232		RK73FB2A101J	
R233		RK73FB2A473J	
R234-236		RK73FB2A101J	
R238		RK73FB2A103J	
R239-243		RK73FB2A473J	
R244		RD14NB2E150J	
R245,246		RK73FB2A102J	
R300		RK73FB2A101J	
R301		RK73FB2A473J	
R302		RK73FB2A101J	
R303		RK73FB2A103J	
R304		RK73FB2A471J	
R305,306		RK73FB2A473J	
R307-309		RK73FB2A561J	
R310		RK73FB2A101J	
R311		RK73FB2A102J	
R312-314		RK73FB2A561J	
R315		RK73FB2A271J	
R316		RK73FB2A561J	
R317		RK73FB2A473J	
R318		RK73FB2A102J	
R319-321		RK73FB2A101J	
R322,323		RK73FB2A750J	
R324		RK73FB2A473J	
R325		RK73FB2A472J	
R326,327		RK73FB2A101J	
R328		RK73FB2A473J	
R329		RK73FB2A472J	
R330		RK73FB2A302J	
R333		RK73FB2A561J	
R334		RK73FB2A271J	
R335-343		RK73FB2A473J	
R345-347		RK73FB2A473J	
R348-355		RK73FB2A103J	
R356		RK73FB2A101J	
R357		RK73FB2A271J	
R358		RK73FB2A561J	
R359		RK73FB2A391J	
R360		RK73FB2A101J	
R361		RK73FB2A561J	
R362		RK73FB2A103J	
R363,364		RK73FB2A561J	
R365,366		RK73FB2A470J	
R367		RK73FB2A103J	
R368		RK73FB2A391J	
R369		RK73FB2A561J	
R370		RK73FB2A393J	
R371		RD14NB2E2R7J	
R372		RD14NB2E5R6J	
R373,374		RK73FB2A393J	
R375		RD14NB2E100J	
R376,377		RK73FB2A102J	
R378		RK73FB2A222J	
R379		RK73FB2A103J	
R380,381		RK73FB2A102J	
R382		RK73FB2A103J	
R383		RK73FB2A102J	
R384		RK73FB2A103J	
R385		RK73FB2A392J	
R386		RK73FB2A122J	
R387		RK73FB2A683J	
R388		RK73FB2A101J	
R389-391		RK73FB2A473J	
R392		RK73FB2A561J	
R393-396		RK73FB2A473J	
R398		RK73FB2A473J	
R399		RK73FB2A223J	
R400,401		RK73FB2A331J	
R402,403		RK73FB2A471J	
R404,405		RK73FB2A473J	
R406-409		RK73FB2A103J	

L : Scandinavia

K : USA

P : Canada

R : Mexico

C : China

I : Malaysia

Y : PX(Far East, Hawaii)

T : England

E : Europe

G : Germany

V : China (Shanghai)

Y : AAFES(Europe)

X : Australia

Q : Russia

H : Korea

M : Other Areas

△ indicates safety critical components.

KRF-X9992D/X9992DE

PARTS LIST

(Refer to page 4)

* New Parts

Parts without **Parts No.** are not supplied.

Les articles non mentionnés dans le **Parts No.** ne sont pas fournis.

Teile ohne **Parts No.** werden nicht geliefert.

5

Ref. No	New Parts	Parts No.	Desti-nation
R410-417		RK73FB2A473J	
R420-425		RK73FB2A682J	
R426,427		RK73FB2A104J	
R428,429		RK73FB2A242J	
R430,431		RK73FB2A392J	
R432,433		RK73FB2A102J	
R438,439		RK73FB2A561J	
R440,441		RK73FB2A183J	
R442-449		RK73FB2A473J	
R450		RK73FB2A223J	
R452		RK73FB2A472J	
R453		RK73FB2A622J	
R454		RK73FB2A472J	
R455-457		RK73FB2A103J	
R458,459		RK73FB2A104J	
R460,461		RK73FB2A242J	
R462,463		RK73FB2A131J	
R464,465		RK73FB2A102J	
R466,467		RK73FB2A104J	
R468		RK73FB2A222J	
R469		RK73FB2A362J	
R470,471		RK73FB2A561J	
R472		RK73FB2A912J	
R473		RK73FB2A682J	
R474,475		RK73FB2A622J	
R476-479		RK73FB2A103J	
R480,481		RK73FB2A104J	
R482,483		RK73FB2A242J	
R484,485		RK73FB2A131J	
R486,487		RK73FB2A102J	
R488,489		RK73FB2A104J	
R490,491		RK73FB2A362J	
R492,493		RK73FB2A561J	
R494,495		RK73FB2A682J	
R500-503		RK73FB2A101J	
R504-507		RK73FB2A473J	
R508		RK73FB2A101J	
R509		RK73FB2A473J	
R510		RK73FB2A102J	
R511		RK73FB2A101J	
R521-544		RK73FB2A103J	
R545		RK73FB2A101J	
R546,547		RK73FB2A103J	
R551,552		RK73FB2A102J	
R553		RK73FB2A222J	
R554-556		RK73FB2A102J	
R558,559		RK73FB2A103J	
R560		RK73FB2A102J	
R561,562		RK73FB2A391J	
R563,564		RK73FB2A102J	
R565,566		RK73FB2A101J	
R567		RK73FB2A102J	
R568		RK73FB2A103J	
R572		RK73FB2A1R0J	
R573		RK73FB2A1R5J	
W1		R92-0670-05	
S1 ,2		S62-0034-05	
D1 ,2		DA204U	
D7 ,8		MA111	
D9		DAN202U	
D10		DAP202U	
D11 ,12		U1BC44	
D13		MA111	
D14		DA204U	
D15 ,16		DAP202U	
D17		DA204U	
D18		DAN202U	
D31 ,32		DA204U	
D33		D2FS4	
D34 ,35		UDZ18B	
IC1		TDA7479D	
IC2		S-806D-Z	
IC3		UPD78078GF-086	
IC4		UPD17215GT-737	
IC5		UPD78056GC-A23	
IC6		TA7805S	

Ref. No	New Parts	Parts No.	Desti-nation
IC21		LH64256CK-70	
IC22		DSPB56007FJ88	
IC23		TC7W04FU	
IC24		TC74VHCT74AFT	
IC25		CS4226KQG	
IC26		TC74VHC153FT	
IC27		TC74VHCU04FT	
IC28		KAG09	
IC29		MX27L2000MC-20	
IC30		CS492501-CLB	
IC31		TC74VHC125FT	
IC32		TC74VHC74FT	
Δ IC33-35		LM2940CT-5.0	
IC36		TL431CPS	
Δ IC37		LM2574M-3.3	
IC38		TL431CPS	
IC48-55		NJM4565M	
Q8 ,9		UN5212	
Q10		2SC4081(R,S)	
Q11		UN5119	
Δ Q31		2SB1424(Q,R)	
Q32		2SA1576A(R,S)	
Q33		2SC4081(R,S)	
Q34		UN5119	
Q45 -50		2SC4213(B)	
Q51 ,52		2SC4081(R,S)	
A1 ,2		W02-1181-05	
A3		W02-1114-15	
A4		W02-2671-05	
D21 -24		B30-2532-05	
CONTROL (X11-3822-71)			
C1 -10		CC73FSL1H221J	
C11 ,12		CC73FSL1H101J	
C13		CK73FB1H103K	
C14		CC73FSL1H151J	
C15		CK73FB1H103K	
C16		CC73FSL1H151J	
C17		CK73FB1H103K	
C18		CC73FSL1H151J	
C21 ,22		CE04KW1H4R7M	
C23 ,24		CC73FSL1H470J	
C25 ,26		CE04KW1E470M	
C27 ,28		CC73FSL1H101J	
C29 ,30		CE04KW1A101M	
C31 -36		CC73FSL1H221J	
C37 -40		CE04KW1A101M	
C41 -52		CC73FSL1H221J	
C53		CC73FSL1H101J	
C54		CK73FB1H103K	
C55		CC73FSL1H151J	
C86		CK73FB1C104K	
C91 ,92		CK73FB1H103K	
C103,104		CE04KW1H2R2M	
C105,106		CK73FB1E104K	
C107		CC73FSL1H151J	
C108		CK45FF1H103Z	
C109,110		CC73FCH1H220J	
C111,112		CE04KW2A4R7M	
C115,116		CK73FB1H561K	
C117,118		CE04KW1H100M	
C119		CC73FSL1H101J	
C121,122		CC73FSL1H221J	
C123-126		CC73FSL1H101J	
C127,128		CK73FB1E104K	
C131,132		CE04KW1H2R2M	
C133,134		CC73FSL1H820J	
C135,136		CE04KW1V470M	
C137,138		CE04KW1H2R2M	
C139,140		CC73FSL1H820J	
C141,142		CE04KW1V470M	
C143,144		CE04KW1H2R2M	
C145,146		CC73FSL1H820J	
C147,148		CE04KW1V470M	
C153,154		CE04KW1H2R2M	
C155		CC73FSL1H151J	

Ref. No	New Parts	Parts No.	Desti-nation
C156		CK45FF1H103Z	
C157,158		CC73FCH1H220J	
C159,160		CE04KW1H4R7M	
C163		CC73FSL1H101J	
C165,166		CC73FSL1H221J	
C167-170		CC73FSL1H101J	
C171,172		CE04KW1H100M	
C203,204		CE04KW1H2R2M	
C205		CC73FSL1H151J	
C206		CK45FF1H103Z	
C207,208		CC73FCH1H220J	
C209,210		CE04KW1H4R7M	
C211,212		CE04KW1H100M	
C213		CC73FSL1H101J	
C215		CC73FSL1H221J	
C216		CK73FB1E563K	
C217-220		CC73FSL1H101J	
C221-224		CE04KW1H2R2M	
C225-230		CC73FSL1H221J	
C231,232		CC73FSL1H101J	
C233,234		CC73FSL1H221J	
C235,236		CC73FSL1H101J	
C237		CK73FB1H103K	
C238,239		CC73FSL1H151J	
C240		CC73FSL1H101J	
C241		CK73FB1H103K	
C242		CC73FSL1H151J	
C285,286		C90-3239-05	
C301,302		CK73FB1E683KTA	
C303,304		CK73FB1H153K	
C305,306		CK73FB1H562K	
C307,308		CK73FB1H183K	
C309,310		CK73FB1H821K	
C314		CK45FF1H103Z	
C315,316		CC73FCH1H270J	
C317,318		CE04KW1H010M	
C319,320		CK73FB1H561K	
C321,322		CE04KW1H010M	
C325		CK73FB1H103K	
C326		CC73FSL1H151J	
C339,340		CC73FSL1H101J	
C341,342		CE04KW1H100M	
C345		CE04KW1H100M	
C347		CE04KW1H100M	
C348		CE04KW1H3R3M	
C349		CE04KW1H100M	
C350		CE04KW1HOR1M	
C353		CK45FF1H103Z	
C354		CC73FSL1H151J	
C355,356		CE04KW1H100M	
C359,360		CE04KW1H100M	
C361		CK45FF1H103Z	
C362		CC73FSL1H151J	
C363,364		CE04KW1H100M	
C367,368		CE04KW1H100M	
C371		CK45FF1H103Z	
C372		CC73FSL1H151J	
C373,374		CE04KW1H100M	
C377		CE04KW1H100M	
C378		CE04KW1C101M	
C379,380		CC73FSL1H220J	
C383,384		CC73FSL1H101J	
C385,386		CC73FSL1H220J	
C389,390		CC73FSL1H101J	
C391,392		CC73FSL1H220J	
C395		CC73FSL1H101J	
C401,402		CC45FSL1H221JN	
C501-506		CK73FB1C104K	
C509,510		CK73FB1E333KTA	
C511-514		CK73FB1C104K	
C515,516		CK73FB1E333KTA	
C521,522		CK73FB1H103K	
C523,524		CC73FSL1H151J	
C531,532		CE04KW1C470M	
C533,534		CC73FSL1H101J	
C541		CK73FB1H103K	
C542		CC73FSL1H151J	

L : Scandinavia
Y : PX(Far East, Hawaii)
Y : AAFES(Europe)

K : USA
T : England
X : Australia

P : Canada
E : Europe
Q : Russia

R : Mexico
G : Germany
H : Korea

C : China
V : China (Shanghai)
I : Malaysia

Δ indicates safety critical components.

KRF-X9992D/X9992DE

PARTS LIST

(Refer to page 4)

* New Parts

Parts without **Parts No.** are not supplied.

Les articles non mentionnés dans le **Parts No.** ne sont pas fournis.

Teile ohne **Parts No.** werden nicht geliefert.



Ref. No	New Parts	Parts No.	Desti-nation
R609		RK73FB2A331J	
R610		RK73FB2A681J	
R611		RK73FB2A220J	
R612		RK73FB2A101J	
R614		RK73FB2A101J	
R615		RK73FB2A333J	
R616		RK73FB2A220J	
R617		RK73FB2A392J	
R618		RK73FB2A302J	
R619		RK73FB2A822J	
R620		RK73FB2A332J	
R623		RK73FB2A153J	
R625		RK73FB2A183J	
R627, 628		RK73FB2A682J	
R635, 636		RK73FB2A101J	
R638		RK73FB2A102J	
R639		RK73FB2A103J	
R642		RK73FB2A103J	
R643		RK73FB2A221J	
R644		RD14NB2E271J	
R645-647		RK73FB2A332J	
R648		RK73FB2A102J	
R649		RK73FB2A103J	
R650		RD14NB2E471J	
R651		RK73FB2A562J	
R652		RK73FB2A101J	
R653, 654		RK73FB2A102J	
R655		RK73FB2A103J	
R656, 657		RK73FB2A102J	
R658		RK73FB2A123J	
R659		RK73FB2A122J	
R672, 673		RK73FB2A392J	
R674		RK73FB2A473J	
R675		RK73FB2A822J	
R676		RK73FB2A182J	
R678		RK73FB2A821J	
R680		RK73FB2A104J	
R681		RS14KB3A151J	
R682		RK73FB2A272J	
R683		RK73FB2A102J	
R685-687		RK73FB2A105J	
R688		RK73FB2A563J	
R690		RK73FB2A681J	
R691, 692		RK73FB2A332J	
R693		RK73FB2A100J	
VR601		R32-0037-05	
W303-310		R92-0670-05	
W313, 314		R92-0670-05	
W318, 319		R92-0670-05	
W321		R92-0670-05	
W323		R92-0670-05	
W325-329		R92-0670-05	
W331		R92-0670-05	
W651, 652		R92-0670-05	
W654, 655		R92-0670-05	
W659, 660		R92-0670-05	
W680		R92-0679-05	
W684		R92-0670-05	
W685		R92-0679-05	
W688		R92-0679-05	
S1		T99-0606-05	
D2		DA204U	
D2		1SS302	
D6		DA204U	
D6		1SS302	
D13		MA111	
D14		HZS11N(B)	
D14		RD11ES(B)	
D35		HZS5.1N(B2)	
D35		RD5.1ES(B2)	
D601		DA204K	
D603		HZS8.2N(B2)	
D603		RD8.2ES(B2)	
D604		HZS5.1N(B2)	
D604		RD5.1ES(B2)	
D605		HZS2.7N(B2)	

Ref. No	New Parts	Parts No.	Desti-nation
D605		RD2.7ES(B2)	
D609		HZS3.3N(B2)	
D609		RD3.3ES(B2)	
D611		MA111	
D612		HSS104	
D612		1SS133	
D613		MA111	
D615		U1BC44	
IC1, 2		TC9164AF	
IC3		NJM4565D	
IC4		TC9163AF	
IC18		TC9164AF	
IC19, 20		NJM4565D	
IC21		TC9412AP	
IC22		NJM4565D	
IC23		TC9413P	
IC24		NJM4565D	
IC25		TC9413P	
IC26		NJM4565D	
IC29-31		NJM4565D	
IC42		TC9163AF	
IC43		NJM4565D	
IC44		TC9184AP	
IC47-49		NJM4565L	
IC51-53		NJM4565D	
IC601		LA1837	
IC602		LC72131	
Q1 -12		2SC4213(B)	
Q15		DTA113ZUA	
Q15		UN5119	
Q16		2SC4081(R,S)	
Q16		2SC4116(Y,GR)	
Q19		DTA113ZUA	
Q19		UN5119	
Q20		2SC4081(R,S)	
Q20		2SC4116(Y,GR)	
Q21		2SA1576A(R,S)	
Q21		2SA1586(Y,GR)	
Q22		2SC4081(R,S)	
Q22		2SC4116(Y,GR)	
Q23		DTA113ZUA	
Q23		UN5119	
Q24		2SC4081(R,S)	
Q24		2SC4116(Y,GR)	
Q31 -36		2SC4213(B)	
Q41, 42		2SC3940A(R,S)	
Q43 -48		2SC4213(B)	
Q601		2SC4081(R,S)	
Q601		2SC4116(Y,GR)	
Q602		2SA1576A(R,S)	
Q602		2SA1586(Y,GR)	
Q606, 607		2SC4081(R,S)	
Q606, 607		2SC4116(Y,GR)	
Q610, 611		2SD1757K	
Q612		2SA1576A(R,S)	
Q612		2SA1586(Y,GR)	
Q614		2SA1576A(R,S)	
Q614		2SA1586(Y,GR)	
A601		W02-2584-05	
ELECTRIC (X25-6202-71)			
D63 -66		B30-2493-05	
D67, 68		B30-2430-05	
D69		B30-1010-05	
D70		B30-2493-05	
D73		B30-2493-05	
C1, 2		CC73FSL1H101J	
C3, 4		CE04KW1H100M	
C5, 6		CQ93FMG1H332J	
C7, 8		CQ93FMG1H123J	
C9, 10		CE04KW1A101M	
C11		CK73FB1H103K	
C12 -14		CC73FSL1H102J	
C15, 16		CC73FSL1H221J	
C17, 18		CE04KW1H100M	
C19, 20		CE04KW1E470M	

Ref. No	New Parts	Parts No.	Desti-nation
C21, 22		CC73FSL1H181J	
C23, 24		CC73FSL1H221J	
C101-104		CC73FSL1H101J	
C105, 106		CC73FSL1H470J	
C107, 108		CC73FSL1H101J	
C109, 110		CC73FSL1H470J	
C111-114		CC73FSL1H101J	
C115		CK45FF1H223Z	
C116		CE04KW1HR22M	
C117		CK73FB1H223K	
C118		CE04KW1C331M	
C119		CK45FF1H223Z	
C120		CE04KW1HR22M	
C121		CK73FB1H223K	
C122		CE04KW1C331M	
C123		CK45FF1H223Z	
C124		CE04KW1HR22M	
C125		CK45FF1H223Z	
C126, 127		CE04KW1HR22M	
C128, 129		CK73FB1H223K	
C130		CC73FSL1H101J	
C131-134		CC73FSL1H220J	
C137, 138		CC73FSL1H220J	
C139		CK73FB1H103K	
C140, 141		CE04KW1H100M	
C142		CK73FB1H103K	
C143		CE04KW1C331M	
C144		CE04KW1HR22M	
C146		CK73FB1H103K	
C149, 150		CC73FSL1H101J	
C151-154		CK73FB1E104K	
C201, 202		CC73FSL1H331J	
C205		CK73FB1H103K	
C206		CC73FSL1H102J	
C209, 210		CE04KW1E470M	
C211, 212		CC73FSL1H470J	
C213, 214		CE04KW1HR22M	
C227		CC73FSL1H101J	
C301, 302		CE04KW1H4R7M	
C303, 304		CC73FSL1H271J	
C305-308		CC73FSL1H101J	
C309, 310		CE04KW1A221M	
C311, 312		CK73FB1H222K	
C313-316		CC45FSL2H560J	
C317, 318		CE04KW1H470M	
C319, 320		CC73FSL1H270J	
C321, 322		CK73FB1H103K	
C325, 326		CC73FSL1H151J	
C351, 352		CE04KW1H4R7M	
C353, 354		CC73FSL1H271J	
C355-358		CC73FSL1H101J	
C359, 360		CE04KW1A221M	
C361, 362		CK73FB1H222K	
C363-366		CC45FSL2H560J	
C367, 368		CE04KW1H470M	
C369, 370		CC73FSL1H270J	
C371		CK73FB1H153K	
C372		CK73FB1H103K	
C375, 376		CC73FSL1H151J	
C401		CE04KW1H4R7M	
C402		CC73FSL1H271J	
C403, 404		CC73FSL1H101J	
C405		CE04KW1A221M	
C406		CK73FB1H222K	
C407, 408		CC45FSL2H560J	
C409		CE04KW1H470M	
C410		CC73FSL1H270J	
C411		CK73FB1H153K	
C412		CK73FB1H103K	
C413		CC73FSL1H151J	
C451, 452		CE04KW2A4R7M	
C453, 454		CE04KW1E470M	
C456, 457		CE04KW2A470M	
C458		CE04KW1E470M	
C460		CE04KW1E220M	
C461		CC73FSL1H102J	
C462, 463		CE04KW0J471M	

L : Scandinavia

Y : PX(Far East, Hawaii)

Y : AAFES(Europe)

K : USA

T : England

X : Australia

P : Canada

E : Europe

Q : Russia

R : Mexico

G : Germany

H : Korea

C : China

V : China (Shanghai)

M : Other Areas

I : Malaysia

⚠ indicates safety critical components.

KRF-X9992D/X9992DE

PARTS LIST

(Refer to page 4)

* New Parts

Parts without **Parts No.** are not supplied.

Les articles non mentionnés dans le **Parts No.** ne sont pas fournis.

Teile ohne **Parts No.** werden nicht geliefert.

8

Ref. No	New Parts	Parts No.	Destination
C501		CC73FSL1H101J	
C502		CE04HW1E100M	
C503		CE04KW1H100M	
C504		CK73FB1H103K	
C505		CE04KW1H2R2M	
C506		CC73FSL1H050C	
C507		CE04KW1H2R2M	
C508,509		CC73FSL1H220J	
C510		CK73FB1H103K	
C511,512		CE04KW1C331M	
C514-519		CC73FSL1H101J	
C520,521		CE04KW1H2R2M	
C522,523		CE04KW1H100M	
C524,525		CK73FB1H103K	
C526		CK73FB1E104K	
C528-530		CK73FB1E104K	
C550-554		CC73FSL1H820J	
C601,602		CC73FSL1H101J	
C603		C90-3244-05	
C604		CK73FF1C105Z	
C605		CK73FB1H103K	
C606-608		CC73FSL1H101J	
C609-615		CK73FB1H103K	
C616		C90-3241-05	
C617-632		CC73FSL1H221J	
C633		CK73FB1H103K	
C634		C90-3255-05	
C701-703		CC73FSL1H101J	
C705		CK73FB1E104K	
C706,707		CC73FSL1H101J	
C708		CK73FB1E104K	
C801,802		CK73FB1H103K	
C803,804		CE04KW1V102M	
C805		CC73FSL1H331J	
C806		CC73FSL1H102J	
C807,808		CK73FB1H103K	
C809,810		CE04KW1E470M	
C811		CE04KW1V100M	
C812,813		CK73FB1H103K	
C814,815		CK73FB1H473K	
C816-818		CE04KW1H100M	
C819,820		CK73FB1H103K	
C821		CE04KW1C472M	
C822		CK73FB1H103K	
C823		CE04KW1V102M	
C824		CK73FB1H103K	
C825		CE04KW1V331M	
C826		CK73FB1H103K	
C827		CE04KW1C470M	
C828		CE04KW1C101M	
C829		CK73FB1H103K	
C831		CE04KW1C101M	
C901		CK73FB1H103K	
C903		CC73FSL1H102J	
C904		CK73FB1H103K	
C905		CE04KW1E470M	
C906		CK73FB1H182K	
C907		CK73FF1C105Z	
C908		CK73FB1E104K	
C909		CE04KW1E220M	
CN11		E40-9829-05	
CN21		E40-9848-05	
CN22		E40-9853-05	
CN23		E40-9842-05	
CN24		E40-9851-05	
CN25		E40-9846-05	
CN26		E40-9837-05	
CN27		E40-9820-05	
CN28		E40-9837-05	
CN29		E40-9842-05	
CN32		E40-4298-05	
CN33		E40-4938-05	
CN51		E40-4916-05	
J1		E63-1071-05	
J2		E63-1030-05	
J3		E56-0012-05	
J4 ,5		E56-0019-05	

Ref. No	New Parts	Parts No.	Destination
J6		E56-0020-05	
J8		E63-1040-05	
J9		E63-1039-05	
Δ F1		F05-1222-05	
Δ F2 ,3		F05-1623-05	
Δ F4		F05-1222-05	
CN81-88		J13-0075-05	
E1		J19-5789-14	
L1 ,2		L92-0079-05	
X1		L78-0284-05	
R1 ,2		RK73FB2A102J	
R3 ,4		RK73FB2A101J	
R5 ,6		RK73FB2A623J	
R7 ,8		RK73FB2A361J	
R9 ,10		RK73FB2A102J	
R15 ,16		RK73FB2A473J	
R17 ,18		RD14NB2E100J	
R19 ,20		RK73FB2A224J	
R101-103		RK73FB2A750J	
R104		RK73FB2A1R0J	
R105		RK73FB2A750J	
R107-109		RK73FB2A750J	
R110		RK73FB2A1R0J	
R111		RK73FB2A750J	
R112		RK73FB2A1R0J	
R113-115		RK73FB2A750J	
R116		RK73FB2A1R0J	
R117		RK73FB2A750J	
R118		RK73FB2A1R0J	
R119		RK73FB2A750J	
R120		RK73FB2A1R0J	
R121		RK73FB2A750J	
R122		RK73FB2A1R0J	
R123,124		RK73FB2A184J	
R125		RK73FB2A101J	
R126		RK73FB2A203J	
R128		RK73FB2A203J	
R129		RK73FB2A184J	
R131,132		RK73FB2A103J	
R133		RK73FB2A184J	
R135,136		RK73FB2A221J	
R138-142		RK73FB2A103J	
R145		RK73FB2A103J	
R146,147		RK73FB2A221J	
R148		RK73FB2A101J	
R149		RK73FB2A103J	
R150,151		RK73FB2A221J	
R153		RK73FB2A103J	
R154		RK73FB2A221J	
R155		RK73FB2A361J	
R156		RK73FB2A101J	
R157		RK73FB2A103J	
R158		RK73FB2A221J	
R159		RK73FB2A361J	
R172		RK73FB2A750J	
R181		RK73FB2A561J	
R182		RK73FB2A103J	
R183		RK73FB2A361J	
R184		RK73FB2A221J	
R192		RK73FB2A561J	
R201,202		RK73FB2A474J	
R205,206		RK73FB2A474J	
R211-214		RK73FB2A332J	
R215,216		RK73FB2A512J	
R225,226		RK73FB2A102J	
R301,302		RK73FB2A102J	
R303,304		RK73FB2A104J	
R305,306		RK73FB2A163J	
R307-310		RK73FB2A751J	
R311,312		RK73FB2A202J	
R313,314		RK73FB2A222J	
R315-318		RK73FB2A103J	
R319-322		RD14NB2E271J	
R323,324		RD14NB2E181J	
R327,328		RK73FB2A102J	

Ref. No	New Parts	Parts No.	Destination
R329,330		RK73FB2A621J	
R351,352		RK73FB2A102J	
R353,354		RK73FB2A104J	
R355,356		RK73FB2A163J	
R357-360		RK73FB2A751J	
R361,362		RK73FB2A202J	
R363,364		RK73FB2A222J	
R365-368		RK73FB2A103J	
R369-372		RD14NB2E271J	
R373,374		RD14NB2E181J	
R377,378		RK73FB2A102J	
R379,380		RK73FB2A621J	
R401		RK73FB2A102J	
R402		RK73FB2A104J	
R403		RK73FB2A163J	
R404,405		RK73FB2A751J	
R406		RK73FB2A202J	
R407		RK73FB2A222J	
R408,409		RK73FB2A103J	
R410,411		RD14NB2E271J	
R412		RD14NB2E181J	
R414		RK73FB2A102J	
R415		RK73FB2A621J	
R457-461		RK73FB2A472J	
R463-466		RK73FB2A104J	
R467		RK73FB2A222J	
R468		RK73FB2A242J	
R469,470		RK73FB2A104J	
R471,472		RD14NB2E332J	
R473		RD14NB2E391J	
R474		RK73FB2A472J	
R475		RK73FB2A101J	
R476		RK73FB2A472J	
R477		RD14NB2E391J	
R478		RK73FB2A101J	
R479		RK73FB2A103J	
R480		RD14NB2E220J	
R481		RK73FB2A103J	
R482		RD14NB2E472J	
R483-487		RK73FB2A104J	
R488		RK73FB2A183J	
R489		RK73FB2A473J	
R490		RK73FB2A183J	
R491		RK73FB2A273J	
R496,497		RK73FB2A472J	
R498		RD14NB2E472J	
R501		RK73FB2A103J	
R502		RK73FB2A750J	
R503		RK73FB2A102J	
R504		RK73FB2A101J	
R509		RK73FB2A750J	
R510		RK73FB2A103J	
R511		RK73FB2A223J	
R513		RK73FB2A103J	
R514,515		RK73FB2A221J	
R516		RK73FB2A361J	
R517		RK73FB2A103J	
R518,519		RK73FB2A221J	
R520-522		RK73FB2A102J	
R523		RK73FB2A750J	
R524		RK73FB2A104J	
R525		RK73FB2A750J	
R526		RK73FB2A104J	
R527		RK73FB2A750J	
R528		RK73FB2A104J	
R529		RK73FB2A750J	
R601		RK73FB2A103J	
R602,603		RK73FB2A102J	
R604		RD14NB2E330J	
R606,607		RK73FB2A100J	
R610-614		RK73FB2A471J	
R615		RK73FB2A361J	
R617		RK73FB2A471J	
R618		RK73FB2A221J	
R619		RK73FB2A104J	
R620-623		RK73FB2A221J	
R627-631		RK73FB2A103J	

L : Scandinavia

K : USA

P : Canada

R : Mexico

C : China

I : Malaysia

Y : PX(Far East, Hawaii)

T : England

E : Europe

G : Germany

V : China (Shanghai)

Y : AAFES(Europe)

X : Australia

Q : Russia

H : Korea

M : Other Areas

Δ indicates safety critical components.

KRF-X9992D/X9992DE

PARTS LIST

(Refer to page 4)

* New Parts
Parts without **Parts No.** are not supplied.
Les articles non mentionnés dans le **Parts No.** ne sont pas fournis.
Teile ohne **Parts No.** werden nicht geliefert.

9

Ref. No	New Parts	Parts No.	Desti-nation	Ref. No	New Parts	Parts No.	Desti-nation	Ref. No	New Parts	Parts No.	Desti-nation
R632-666		RK73FB2A104J		D49		HZS18N(B)		Q81		2SC2458(Y,GR)	
R701,702		RK73FB2A221J		D49		RD18ES(B)		Q81		2SC3311A(Q,R)	
R705		RK73FB2A152J		D50 -54		MA111		Q82		2SA1048(Y,GR)	
R706,707		RK73FB2A224J		D55 ,56		DA204K		Q82		2SA1309A(Q,R)	
R708-710		RK73FB2A750J		D58 -60		MA111		Q83		2SB1370(E,F)	
R711		RK73FB2A184J		D61		HZS3.3N(B)		△ Q83		2SB1375	
R801,802		RD14NB2E332J		D61		RD3.3ES(B)		△ Q84		2SD2012	
R803,804		RD14NB2E101J		D62		HZS2.7N(B)		△ Q84		2SD2061(E,F)	
△ R805		RD14NB2E1R8J		D62		RD2.7ES(B)		△ Q85		2SB1370(E,F)	
△ R806		RD14NB2E2R7J		D71		HZS2.7N(B)		△ Q85		2SB1375	
R808		RK73FB2A102J		D71		RD2.7ES(B)		△ Q86		2SD2012	
R809		RK73FB2A512J		D74 ,75		MA111		△ Q86		2SD2061(E,F)	
R810		RK73FB2A153J		D76 ,77		HZS5.1S(B2)		Q301-304		2SA992(F,E)	
R811		RK73FB2A682J		D76 ,77		RD5.1JS(B2)		Q305-308		2SC2631(R,S)	
R812		RK73FB2A103J		D79 ,80		HZS5.6N(B2)		Q309,310		2SA1123(R,S)	
R821		RD14NB2E272J		D79 ,80		RD5.6ES(B2)		Q311,312		2SA1586(Y,GR)	
R822		RK73FB2A100J		△ D81 ,82		1B4B41		Q351-354		2SA992(F,E)	
R823		RK73FB2A472J		D83 ,84		HZS15N(B)		Q355-358		2SC2631(R,S)	
R824		RK73FB2A100J		D83 ,84		RD15ES(B)		Q359,360		2SA1123(R,S)	
R825		RK73FB2A472J		D85		HZS5.1S(B2)		Q361,362		2SA1586(Y,GR)	
R828		RD14NB2E332J		D85		RD5.1JS(B2)		Q401,402		2SA992(F,E)	
R901		RK73FB2A223J		△ D86		S5688B		Q403,404		2SC2631(R,S)	
R902,903		RK73FB2A103J		D87		HZS11N(B)		Q405		2SA1123(R,S)	
R904		RK73FB2A153J		D87		RD11JS(B)		Q406		2SA1586(Y,GR)	
R905		RK73FB2A103J		△ D88		D3SBA20F03		△ Q451		2SA1535(R,S)	
R906		RK73FB2A222J		D89		HZS11N(B)		△ Q452		2SC3944(R,S)	
R912		RK73FB2A102J		D89		RD11JS(B)		Q453		DTC124EUA	
R917-922		RK73FB2A102J		D90 ,91		MA111		Q453		UN5212	
R923		RK73FB2A562J		D901,902		MA111		Q454		2SA1611(M5,M6)	
R924		RK73FB2A103J		D997		HSS104		Q455		2SC4177(L5,L6)	
R925		RK73FB2A104J		D997		1SS133		△ Q457		2SC4177(L5,L6)	
R926		RK73FB2A102J		D998		HZS15N(B)		Q458		2SA992(F,E)	
R927		RK73FB2A474J		D998		RD15ES(B)		Q459		DTC124EUA	
R928		RK73FB2A103J		D999		MA111		Q459		UN5212	
R929		RK73FB2A101J		ED1		16-MT-62GK		Q460		2SC4177(L5,L6)	
R998,999		RD14NB2E103J		IC1		NJM4580ED		Q461		DTA143TUA	
W312-314		R92-0670-05		IC11,12		SN761200N		Q461		UN5116	
S2 -7		S70-0031-05		IC21		NJM2058D		Q462		2SA1611(M5,M6)	
D1		MA111		IC23		TC9162AF		△ Q463,464		2SA992(F,E)	
D2		U1BC44		IC51		SN761200N		Q465		2SC1845(F,E)	
D3		MA111		IC52		MC14577CF		△ Q466,467		2SA992(F,E)	
D4 ,5		HZS2.7N(B)		IC53		NJU3713D		Q468-470		2SC1845(F,E)	
D4 ,5		RD2.7ES(B)		IC61		UPD780204-038		Q901		2SC4081(R,S)	
D6 ,7		MA111		△ IC81		NJM4558D		Q902,903		2SA1611(M5,M6)	
D31 -38		HSS104		△ IC82		TA79005S		Q999		2SC3244	
D31 -38		1SS133		△ IC83		UPC7905AHF		A1		W02-2571-05	
D39		DA204K		△ IC83		TA7805S					
D40		MA111		△ IC83		UPC7805AHF					
D41 ,42		HSS104		△ IC84		SI-3082V					
D41 ,42		1SS133		△ IC90		BA7645N					
D43		HZS5.1S(B2)		IC91		NJM4580L					
D43		RD5.1JS(B2)		Q11 -14		2SC4081(R,S)					
D44 ,45		MA111		Q15 ,16		2SC4213(B)					
D46		HZS24N(B)		Q30 ,31		2SC4081(R,S)					
D46		RD24ES(B)		Q51 ,52		2SC4081(R,S)					
D47		HZS18N(B)		Q53		DTA113ZUA					
D47		RD18ES(B)		Q53		UN5119					
D48		HZS24N(B)		Q54		DTC124EUA					
D48		RD24ES(B)		Q54		UN5212					
D48				Q55		2SC4213(B)					

L : Scandinavia K : USA P : Canada R : Mexico C : China I : Malaysia
Y : PX(Far East, Hawaii) T : England E : Europe G : Germany V : China (Shanghai)
Y : AAFES(Europe) X : Australia Q : Russia H : Korea M : Other Areas

△ indicates safety critical components.

HOW TO READ THE PARTS LIST

Destination column has the abbreviation for sale country and model.

Alphabets mean the country. Numerals do the model.

Example: E means KRF-X9992D for England market.

ABBREVIATION OF MODEL AND MASS PRODUCTION'S DESTINATIONS

MODEL	CNT	Australia	Canada	China	England	Europe	Germany	Korea	Malaysia
	ABB.	X	P	C	T	E	G	H	I
KRF-X9992D	-	-	-	-	T1	E	-	-	-
KRF-X9992DE	-	-	-	-	-	E1	-	-	-
MODEL	CNT	Mexico	PX/AAFES	Russia	Scandinavia	Shanghai	USA	Other area	Other area(M2)
	ABB.	R	Y	Q	L	V	K	M	M2
KRF-X9992D	-	-	-	-	-	-	-	-	-
KRF-X9992DE	-	-	-	-	-	-	-	-	-

KRF-X9992D/X9992DE

SPECIFICATIONS

AUDIO section

Rated power output during STEREO operation
(DIN/IEC) 63 Hz ~ 12.5 kHz, 0.7% T.H.D at 6 Ω
..... 130 W + 130 W

Effective output power during SURROUND operation
FRONT
(1kHz, 0.06% T.H.D. at 6 Ω one channel driven)
..... 130 W + 130 W

CENTER
(1kHz, 0.06% T.H.D. at 6 Ω one channel driven)
..... 130 W

SURROUND
(1kHz, 0.06% T.H.D. at 6 Ω one channel driven)
..... 130 W + 130 W

Total harmonic distortion 0.004 % (1kHz, 65 W, 6 Ω)

Frequency response(IHF '66)
CD1 5 Hz ~ 80 kHz, +0.5 dB, -3 dB

Signal to noise ratio (IHF '66)
PHONO (MM) 77 dB
CD1 96 dB

Input sensitivity / impedance
PHONO (MM) 2.5 mV / 47 kΩ
CD1 200 mV / 47 kΩ
6CH INPUT 200 mV / 47 kΩ

Output level / impedance
TAPE REC 200 mV / 220 Ω
PRE OUT (FRONT, CENTER, SURROUND, SUBWOOFER)
..... 1 V / 500 Ω

Tone control
BASS ±7 dB (at 100 Hz)
TREBLE ±7 dB (at 10 kHz)

LOUDNESS control
VOLUME at -40dB level ... +7 dB(100 Hz), +4 dB(10 kHz)

DIGITAL AUDIO section

Sampling frequency 32 kHz, 44.1 kHz, 48 kHz

Input level / impedance / wave length
Optical -15 dBm ~ -21 dBm, 600 nm ±30nm
Coaxial 0.5 Vp-p / 75 Ω

Output level / impedance / wave length
Optical -15 dBm ~ -21 dBm, 600 nm ±30nm

VIDEO section

VIDEO inputs / outputs
VIDEO (composite) 1 Vp-p / 75 Ω
S-VIDEO (luminance signal) 1 Vp-p / 75 Ω
(chrominance signal) 0.286 Vp-p / 75 Ω

FM tuner section

Tuning frequency range 87.5 MHz ~ 108 MHz

Usable sensitivity (DIN, 75 Ω)
MONO 1.2μV / 13.2 dBf (40 kHz DEV., S/N 26 dB)
STEREO 45μV / 44.2 dBf (46 kHz DEV., S/N 46 dB)

Total harmonic distortion (DIN, 1 kHz)
MONO 0.2 % (65.2 dBf input)
STEREO 0.8 % (65.2 dBf input)

Signal to noise ratio (DIN weighted, 1 kHz)
MONO 65 dB (40 kHz DEV., 65.2 dBf input)
STEREO 60 dB (40 kHz DEV., 65.2 dBf input)

Stereo separation (DIN, 1 kHz) 36 dB

Selectivity (DIN, ±300 kHz) 64 dB

Frequency response (30 Hz ~ 15kHz) +0.5 dB, -3.0 dB

AM tuner section

Tuning frequency range 531 kHz ~ 1,602 kHz

Usable sensitivity (30% mod., S/N 20 dB)
..... 16 μV / (600 μV/m)

Signal to noise ratio (30 % mod., 1 mV input) 50 dB

GENERAL

Power consumption 600 W

△ AC outlet
SWITCHED 2 (total 100W max.)

Dimensions W : 440 mm (17-5/16")
..... H : 162 mm (6-3/8")
..... D : 391 mm (15-3/8")

Weight (Net) 15.2 kg (33.5lb)



1. KENWOOD follows a policy of continuous advancements in development. For this reason specifications may be changed without notice.
2. Full performance may not be exhibited in extremely cold locations (below 0 deg.C).

Note:

Component and circuit are subject to modification to insure best operation under differing local conditions. This manual is based on Europe (E) standard, and provides information on regional circuit modification through use of alternate schematic diagrams, and information on regional component variations through use of parts list.

KENWOOD CORPORATION

14-6,Dogenzaka 1-chome, Shibuya-ku, Tokyo, 150-8501 Japan

KENWOOD SERVICE CORPORATION

P.O BOX 22745, 2201 East Dominguez St., Long Beach, CA 90801-5745, U.S.A.

KENWOOD ELECTRONICS CANADA INC.

6070 Kestrel Road, Mississauga, Ontario, Canada L5T 1S8

KENWOOD ELECTRONICS LATIN AMERICA S.A.

P.O.BOX 55-2791, Piso 6 plaza Chase, Cl. 47 y Aquilino de la Guardia Panama, Republic de Panama

KENWOOD ELECTRONICS BRASIL LTDA.

Av. Moema, 170-17", Andar-Cobertura "B", Ed. Maximum Service Center, 04077-020 Moema, São Paulo-SP-Brasil

KENWOOD ELECTRONICS U.K. LIMITED

KENWOOD House, Dwight Road, Watford, Herts., WD1 8EB., United Kingdom

KENWOOD ELECTRONICS BELGUM N.V.

Meachelsesteenweg 418, B-1930 Zaventem, Belgium

KENWOOD ELECTRONICS DEUTSCHLAND GMBH

Rembrücker Str. 15, 63150 Heusenstamm, Germany

KENWOOD ELECTRONICS FRANCE S.A.

13 Boulevard Ney, 75018 Paris, France

KENWOOD ELECTRONICS ITALIA S.p.A.

Via G. Sirtori, 7/9 20129, Milano, Italy

KENWOOD IBÉRICA S.A.

Bolivia, 239-08020 Barcelona, Spain

KENWOOD ELECTRONICS AUSTRALIA PTY. LTD.

(A.C.N. 001499 074)

P.O Box 504, 8 Figtree Drive, Australia Centre, Homebush, N.S.W. 2140, Australia

KENWOOD ELECTRONICS (HONG KONG) LTD.

Unit 3712-3724, Level 37, Tower 1, Metroplaza, 223 Hing Fong Road, Kwai Fong N.T., Hong Kong

KENWOOD ELECTRONICS GULF FZE

P.O.Box 61318, Jebel Ali, Dubai, U.A.E.

KENWOOD ELECTRONICS SINGAPORE PTE LTD.

No. 1 Genting Lane #02-02, KENWOOD Building, Singapore, 349544

KENWOOD ELECTRONICS (MALAYSIA) SDN BHD.

#4.01 Level 4, Wisma Academy Lot 4A, Jalan 19/1 46300 Petaling Jaya Selangor Darul Ehsan Malaysia

KENWOOD ELECTRONICS (THAILAND) CO., LTD.

2019 New Pechburi Road, Bangkok, Huaykwang, Bangkok, 10320 Thailand